

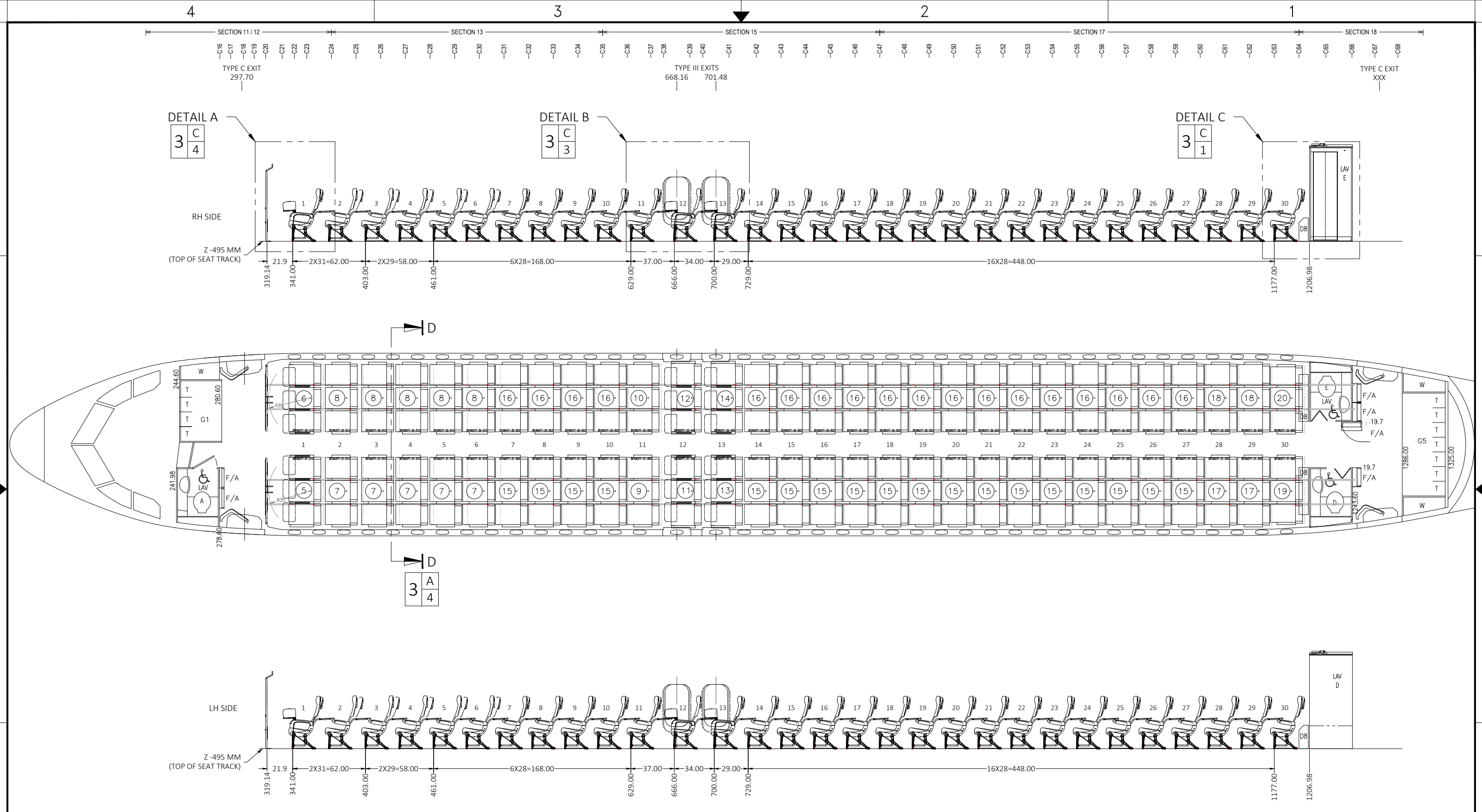
GENERAL NOTES:

1. FOR SEAT INSTALLATION INSTRUCTIONS REFER TO THE FOLLOWING MANUALS:
 - AIRBUS AMM 25-21-41 PB 401
 - RECARO CMM 25-25-69.
2. PASSENGER SEAT PITCH DIMENSIONS & STATIONS ARE TO CENTERLINE OF INBOARD LEG'S FORWARD STUD.
3. FRONT ROW SEATS MUST HAVE MINIMUM HEADSTRIKE CLEARANCE OF 35" FROM SEAT REFERENCE POINT (SRP) TO COMPLY WITH:
 - JAR 25 CHANGE 11, PARA 25.785 (d)(2);
 - AIRBUS FRAME SPECIFICATION # 2520 M1F 00 01 00.
4. REQUIRED AISLE WIDTH DIMENSIONS ARE IN ACCORDANCE WITH CS 25.815:
 - FROM FLOOR TO 25" ABOVE = 15" MIN
 - FROM 25" ABOVE FLOOR TO CEILING = 20" MIN
5. ENSURE THAT MINIMUM 7" OF FREE ACCESS PATH IS PROVIDED FOR EACH TYPE III OVERWING EXIT PER AIRBUS FRAME SPEC 2520 M1F 00 01 00.
6. TO COMPLY WITH CS 25.811(b)&(d), ENSURE THAT:
 - SEAT INSTALLATION DOES NOT OBSTRUCT PASSENGER EMERGENCY EXIT MARKING;
 - EMERGENCY EXIT SIGN IS VISIBLE TO OCCUPANTS APPROACHING ALONG THE MAIN PASSENGER AISLE.
7. TO COMPLY WITH JAR 25 CHANGE 11, PARA 25.791 AND FAA AC25-17A, SECTION 25.791, ENSURE EACH PASSENGER AND CREW MEMBER CAN SEE PASSENGER INFORMATION SIGN(S) WHEN SEATED FOR TAXI, TAKEOFF AND LANDING WITHOUT ROTATING THE HEAD BACKWARDS.
8. EACH PROJECTING OBJECT THAT COULD INJURE PERSONS SEATED OR MOVING ABOUT THE AIRPLANE IN NORMAL FLIGHT MUST BE PADDED.
9. ENSURE A CLEARANCE OF MINIMUM 20 MM [0.79"] BETWEEN ANY PART OF THE SEAT AND ANY OTHER CABIN INTERIOR PART IS OBTAINED TO COMPLY WITH AIRBUS FRAME SPECIFICATION # 2520 M1F 00 01 00.
10. FOR SEAT GEOMETRY REFER TO SHEET 3. ALL SEATS, EXCEPT THOSE NOTED IN BOM HAVE:
 - NO BREAKOVER; NO VIDEO IN BACKREST; MOVABLE CTR ARMRESTS (EXCEPT ALL IAT ARMRESTS); HANDICAP ARMRESTS AISLESIDE (EXCEPT ALL IAT ARMRESTS).
11. HEIGHT OF SPECIAL OUTBOARD CUSHION.

1	20	3510A377-32-063	SEAT TPL RH STD, LIM RECLINE 2", NARROW	-	RECARO	-	
1	19	3510A377-31-063	SEAT TPL LH STD, LIM RECLINE 2", NARROW	-	RECARO	-	
2	18	3510A377-32-033	SEAT TPL RH STD, LIM RECLINE 2", STRETCHER (BREAKOVER)	-	RECARO	-	
2	17	3510A377-31-033	SEAT TPL LH STD, LIM RECLINE 2", STRETCHER (BREAKOVER)	-	RECARO	-	
18	16	3510A377-32-023	SEAT TPL RH STD, LIM. RECLINE 2"	-	RECARO	-	
18	15	3510A377-31-023	SEAT TPL LH STD, LIM. RECLINE 2"	-	RECARO	-	
1	14	3510A377-32-453	SEAT TPL RH IAT, LIM RECLINE 2", NO ARMREST, SPECIAL CUSHION OUTBRD	-	RECARO	-	
1	13	3510A377-31-453	SEAT TPL LH IAT, LIM. RECLINE 2", NO ARMREST, SPECIAL CUSHION OUTBRD	-	RECARO	-	
1	12	3510A377-32-443	SEAT TPL RH IAT, NO RECLINE, NO COAT HOOK, SPECIAL LATCH, NO ARMREST, SPECIAL CUSHION OUTBRD, SPECIAL UPRIGHT 23"	-	RECARO	-	
1	11	3510A377-31-443	SEAT TPL LH IAT, NO RECLINE, NO COAT HOOK, SPECIAL LATCH, NO ARMREST, SPECIAL CUSHION OUTBRD, SPECIAL UPRIGHT 23"	-	RECARO	-	
1	10	3510A377-32-053	SEAT TPL RH STD, LIM RECLINE 2", NO COAT HOOK, SPECIAL LATCH	-	RECARO	-	
1	9	3510A377-31-053	SEAT TPL LH STD, LIM RECLINE 2", NO COAT HOOK, SPECIAL LATCH	-	RECARO	-	
5	8	3510A377-32-013	SEAT TPL RH STD	-	RECARO	-	
5	7	3510A377-31-013	SEAT TPL LH STD	-	RECARO	-	
1	6	3510A377-32-213	SEAT TPL RH IAT	-	RECARO	-	
1	5	3510A377-31-213	SEAT TPL LH IAT	-	RECARO	-	
	4						
	3						
	2						
	1	AV22112002-1	A320 LAYOUT OF PASSENGER ARRANGEMENT	-	AVIANOR	-	
-1	QTY	ITEM	PART NUMBER	DESCRIPTION	MATERIAL	SPEC	SIZE/ FINISH

PARTS LIST

REVISION RECORD 	REVISION MSN: 4118	APPLICABILITY UNLESS OTHERWISE SPECIFIED DIMENSIONS ARE IN INCHES. TOLERANCES ARE: ANGLES: ±0°30' 2 PLACE DECIMALS: ±0.030 3 PLACE DECIMALS: ±0.010	DRAWN BY M.LOMOVITSEV	DATE JUNE 06, 2022	Montreal-Mirabel Int'l Airport 11805 Service A-5 Street Mirabel (Quebec) J7N 1A1, Canada Tel: 450.476.9075 www.avianor.com			
	CHECKED BY C.BILLIOT	APPROVED & SIGNED BY S.CABRAL	DATE JUNE 14, 2022	DATE JUNE 14, 2022				
	DRAWN BY & DATE CHECKED BY & DATE	APPD & SIGNED BY & DATE	INTERPRET DRAWING PER ASME Y14.100	THE DESIGN DEPICTED IN THIS DRAWING IS THE EXCLUSIVE PROPERTY OF AVIANOR INC. AND IN THE ACCEPTANCE OF THIS DRAWING THE RECIPIENT AGREES THAT IT WILL NOT BE USED FOR THE PURPOSE OF MANUFACTURE OR PROCUREMENT OF THE PART OR ASSEMBLY SHOWN HEREIN, REPRODUCED OR OTHERWISE COPIED OR DISCLOSED TO ANY OTHER PERSON OR PARTY EXCEPT AS AUTHORIZED IN WRITING BY AVIANOR INC.		SIZE B	DRAWING No. AV22112002	REV. NC
	FILE NAME: AV22112002_NC.DWG			SCALE: N.T.S.		SHEET: 1 OF 3		



1 A320 LAYOUT OF PASSENGER ARRANGEMENT
180 PAX

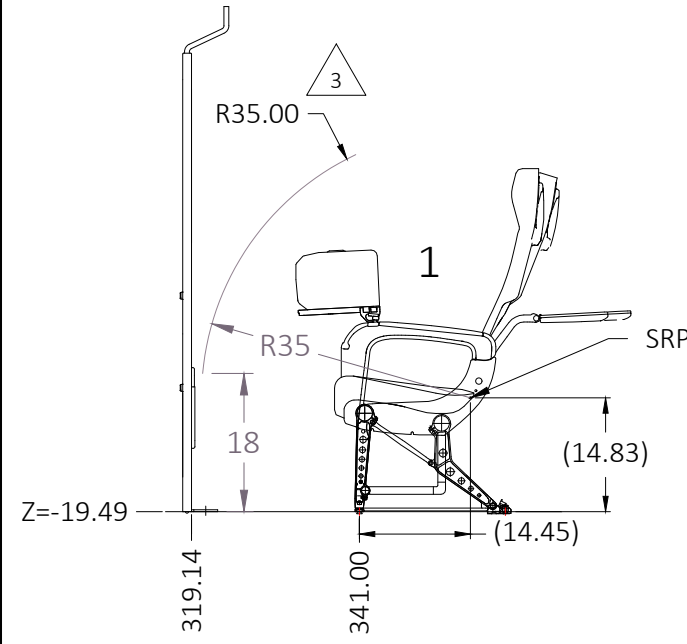
		Montreal-Mirabel Int'l Airport 11805 Service A-5 Street Mirabel (Quebec) J7N 1A1, Canada Tel: 450.476.9075 www.avianor.com	
		GMT GLOBAL A320 LAYOUT OF PASSENGER ARRANGEMENT	
SIZE B	DRAWING No. AV22112002	REV. NC	FILE NAME: AV22112002_NC.DWG
		SCALE: N.T.S.	SHEET: 2 OF 3

4

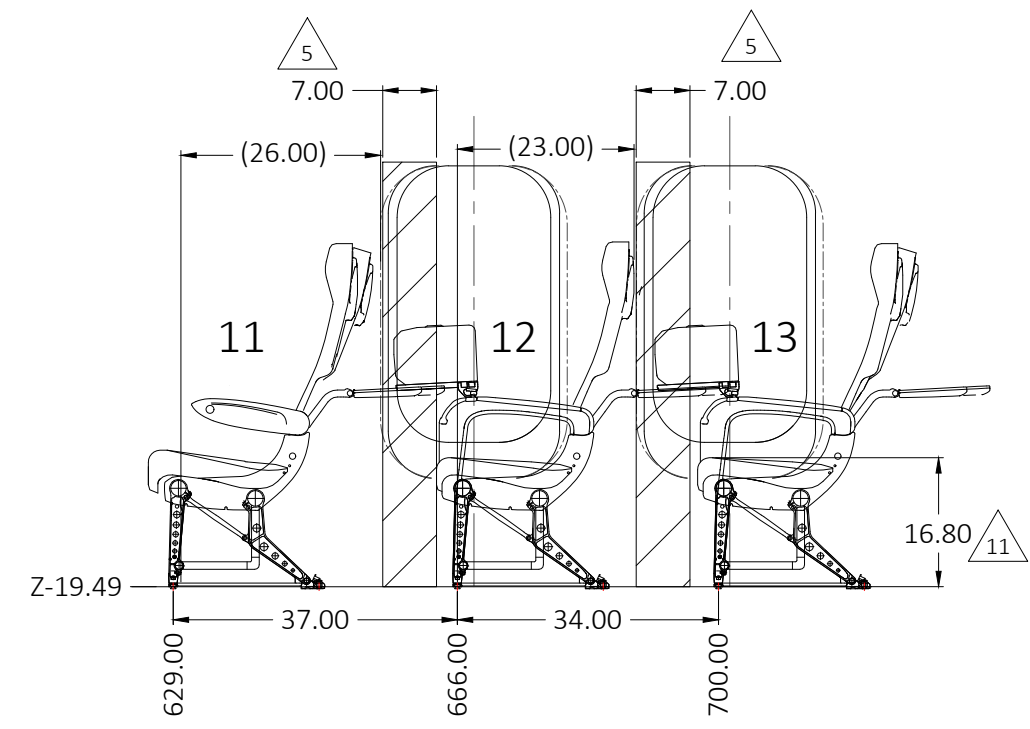
3

2

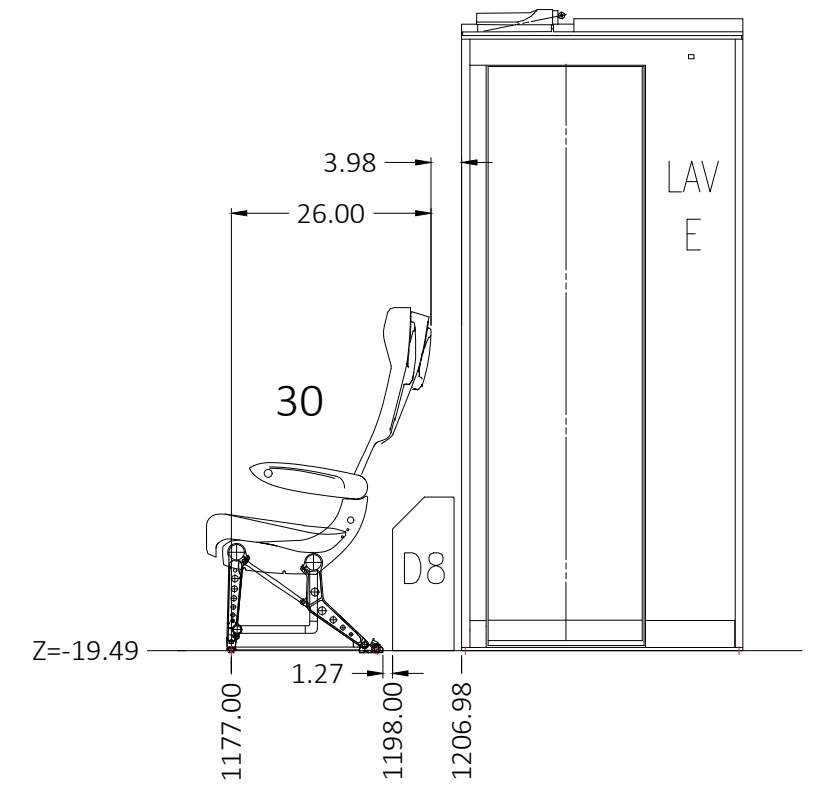
1



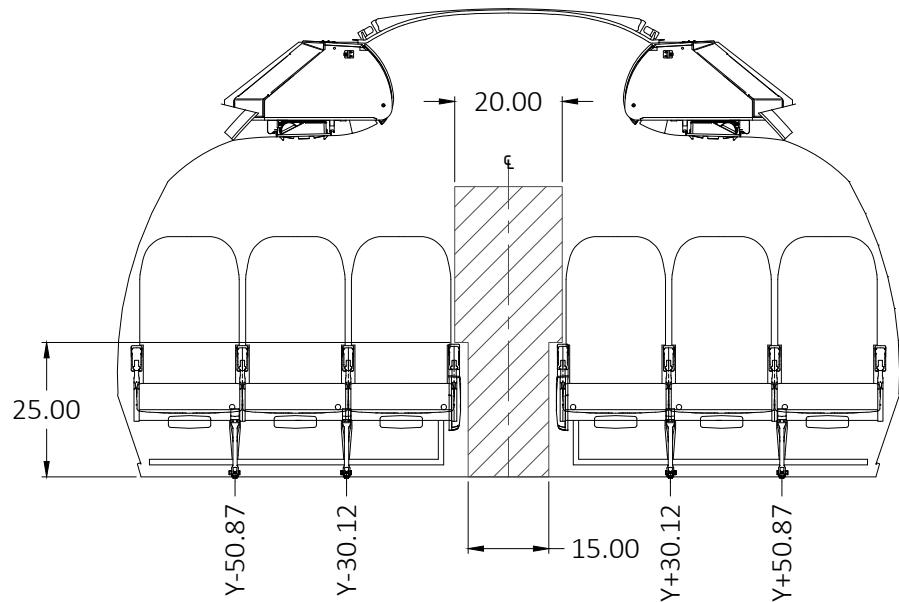
2 **D**
4 **DETAIL A**
(RH SIDE SHOWN, LH SIDE OPPOSITE)



2 **D**
3 **DETAIL B**
(RH SIDE SHOWN, LH SIDE OPPOSITE)

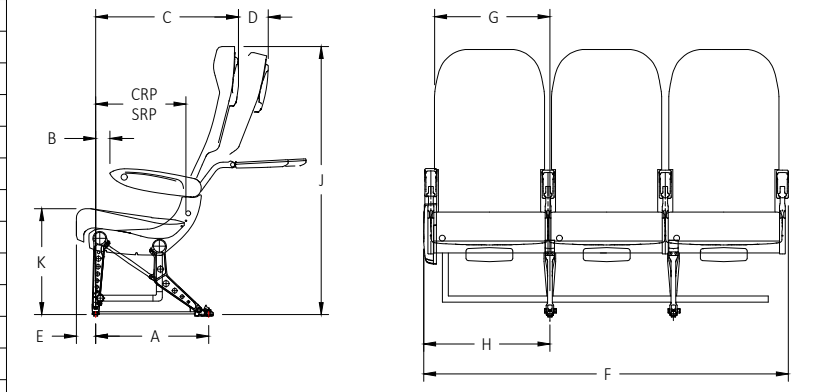


2 **D**
1 **DETAIL C**
(RH SIDE SHOWN, LH SIDE OPPOSITE)



2 **B**
3 **SECTION D-D** **4**

	STD	IAT	
A	STUD TO STUD	19	19
B	STUD TO ARM FRONT EDGE	2.4	-2.36
C	UPRIGHT. ALL EXCEPT BELOW	24	24
	- PN 3510A377-31-443 & 3510A377-32-443	-	23
D	RECLINE. ALL EXCEPT BELOW	2	2
	- PN 3510A377-31-213 & 3510A377-32-213	-	5
	- PN 3510A377-31-013 & 3510A377-32-013	5	-
E	STUD TO CUSHION FRONT EDGE. ALL EXCEPT BELOW	-3.23	-3.23
	- IAT SEATS AT TYPE III EXIT	-	-2.71
F	SEAT WIDTH. ALL EXCEPT BELOW	61.25	61.25
	- PN 3510A377-31-063 & 3510A377-32-063	59.28	-
	- PN 3510A377-31-453 & 3510A377-32-453	-	62.12
G	STUD TO CUSHION INBRD EDGE. ALL EXCEPT BELOW	19.41	19.41
	- PN 3510A377-31-063 & 3510A377-32-063	19.8	-
H	STUD TO ARM INBRD EDGE. ALL EXCEPT BELOW	21.19	21.19
J	SEAT HEIGHT	44.67	44.67
K	BOTTOM CUSHION HEIGHT. ALL EXCEPT BELOW	17.66	17.66
	- OUTBOARD CUSHION, IAT SEATS AT TYPE III EXIT	-	16.80
CRP	CUSHION REFERENCE POINT	15.16	15.16
SRP	SEAT REFERENCE POINT	14.45	14.45



AVIANOR Montreal-Mirabel Int'l Airport
11805 Service A-5 Street
Mirabel (Quebec) J7N 1A1, Canada
Tel: 450.476.9075 www.avianor.com

GMT GLOBAL A320
LAYOUT OF PASSENGER ARRANGEMENT

SIZE	DRAWING No.	REV.
B	AV22112002	NC
FILE NAME: AV22112002_NC.DWG		SCALE: N.T.S. SHEET: 3 OF 3