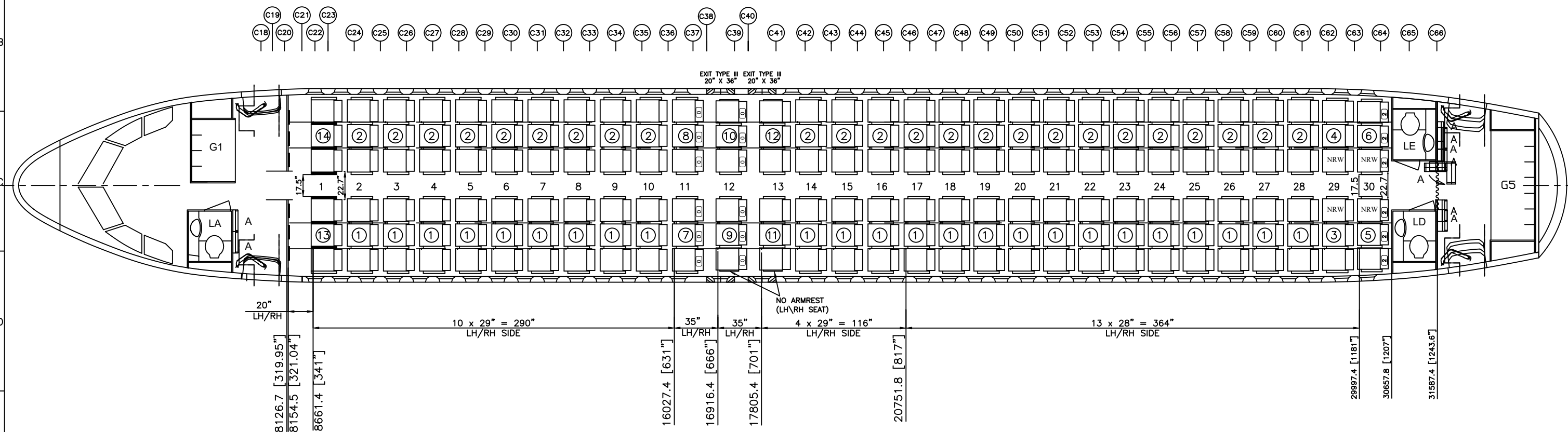


DF-030-01_D Ed.1 Rev.2, dated 08.03.2018

DRAWING CHANGE LOG

REV.	DRAWN BY	DATE	MODIFICATION
0	L. CARACCILO	09.10.2020	First release



13) NO CHANGE TO EMERGENCY EQUIPMENT – RETAINED AS IS.

12) THE LOCATION OF PASSENGERS SERVICE/INFORMATION UNITS MUST COMPLY WITH THE REQUIREMENTS SPECIFIED IN AIRBUS A320 AMM

11) FWD WIND SCREEN AND ALL PASSENGERS SEAT BACKRESTS MUST HAVE PLACARDS: "LIFE VEST UNDER YOUR SEAT" AND "FASTEN SEAT BELT WHILE SEATED"

10) EACH SEAT PLACE MUST BE PROVIDED WITH LIFE VEST, TSO C13() APPROVED

9) EACH SEAT PLACE MUST BE PROVIDED WITH SAFETY BELT, TSO C-22() APPROVED

8) SEAT COVERINGS AND FOAMS MUST MEET FLAMMABILITY REQUIREMENTS OF CS/FAR 25.853

7) ALL SEATS MUST BE ETSO/TSO C127 APPROVED

6) EMERGENCY EXIT OVERHEAD LOCATION SIGNS MUST BE VISIBLE TO OCCUPANTS APPROACHING ALONG THE CENTER AISLE IAW CS/FAR 25.811(d).

5) INSTALL/RELOCATE SEATS IAW A320 AMM SECTION 25-21-41

4) SEATS EQUIPPED WITH 5° RECLINE, EXCEPT WHERE OTHERWISE NOTED

3) SEATS DO NOT HAVE BREAK OVER FEATURE, EXCEPT WHERE OTHERWISE NOTED

2) REFER TO B/E AEROSPACE CMM 25-22-57 FOR "PINNACLE SERIES" SEATS DETAILS AND OTHER DIMENSIONS

1) EACH SEAT LOCATION IDENTIFIED IN THIS DOCUMENT REFER TO THE SEAT FRONT STUD IN ITS LOCKED POSITION

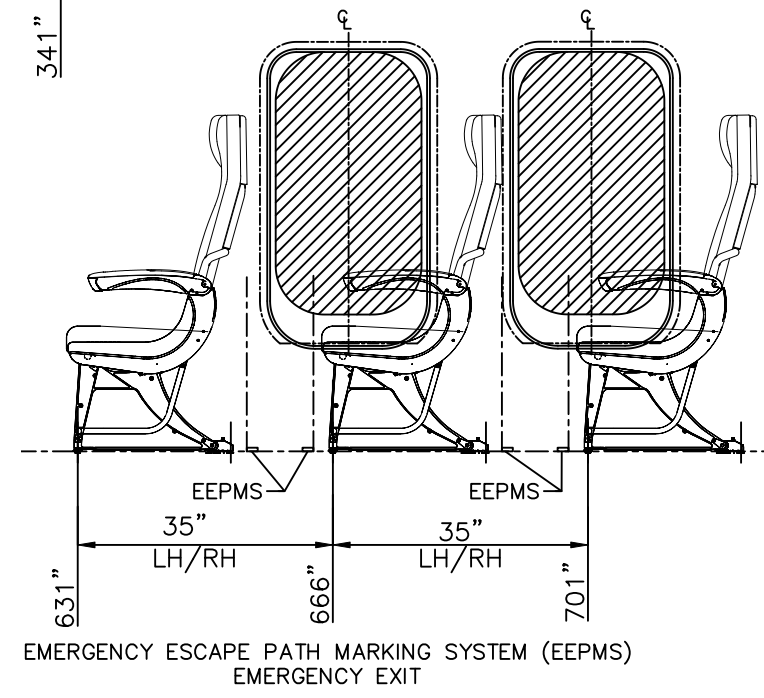
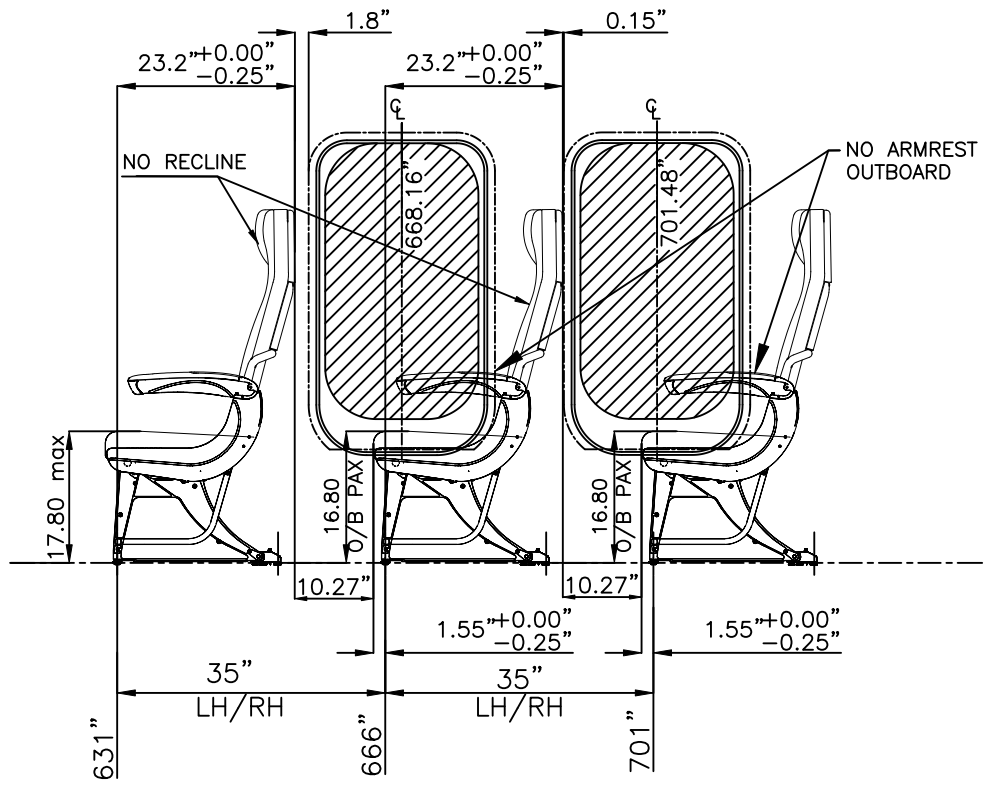
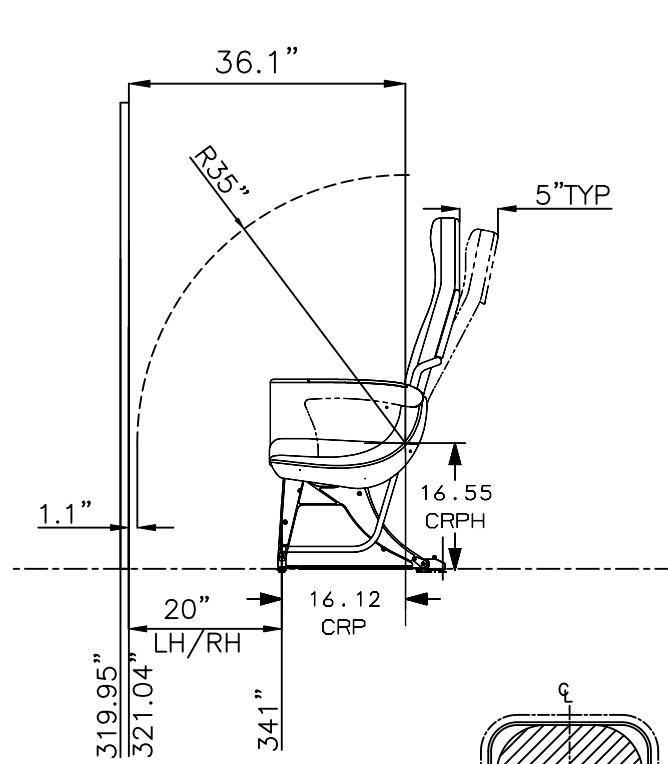
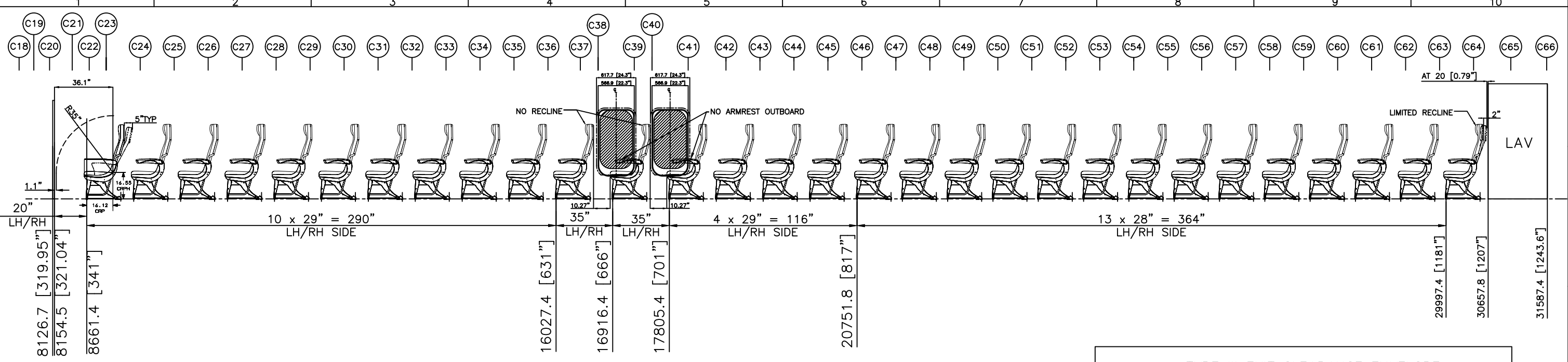
GENERAL NOTES:

14	1017030-102	1	Seat Assembly, RH Front Row Triple, In-Arm Foodtray, Y-Belts	B/E AEROSPACE
13	1017030-101	1	Seat Assembly, LH Front Row Triple, In-Arm Foodtray, Y-Belts	B/E AEROSPACE
12	1017030-012	1	Seat Assembly, RH Standard Triple, No Outboard Arm	B/E AEROSPACE
11	1017030-011	1	Seat Assembly, LH Standard Triple, No Outboard Arm	B/E AEROSPACE
10	1017030-010	1	Seat Assembly, RH Standard Triple, No Recline, One-Way Latch, No Outboard Arm, 6.0" Back-Mounted Foodtray	B/E AEROSPACE
9	1017030-009	1	Seat Assembly, LH Standard Triple, No Recline, One-Way Latch, No Outboard Arm, 6.0" Back-Mounted Foodtray	B/E AEROSPACE
8	1017030-008	1	Seat Assembly, RH Standard Triple, No Recline, One-Way Latch, 6.0" Back-Mounted Foodtray	B/E AEROSPACE
7	1017030-007	1	Seat Assembly, LH Standard Triple, No Recline, One-Way Latch, 6.0" Back-Mounted Foodtray	B/E AEROSPACE
6	1017030-006	1	Seat Assembly, RH Triple, Narrow Last Row, 2.0° Recline	B/E AEROSPACE
5	1017030-005	1	Seat Assembly, LH Triple, Narrow Last Row, 2.0° Recline	B/E AEROSPACE
4	1017030-004	1	Seat Assembly, RH Triple, Narrow Outboard PAX	B/E AEROSPACE
3	1017030-003	1	Seat Assembly, LH Triple, Narrow Outboard PAX	B/E AEROSPACE
2	1017030-002	24	Seat Assembly, RH Standard Triple	B/E AEROSPACE
1	1017030-001	24	Seat Assembly, LH Standard Triple	B/E AEROSPACE
SEAT ID	SEAT P/N	Q.ty	SEAT DESCRIPTION	MANUFACTURER

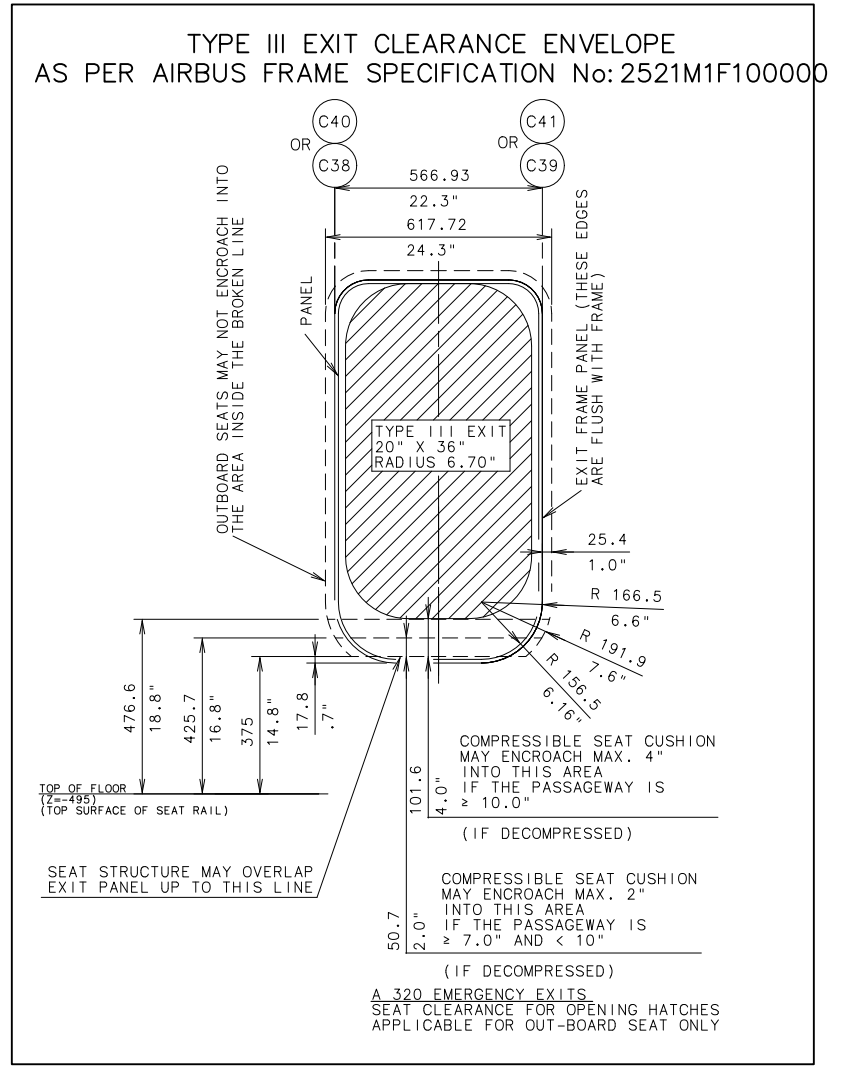
NRW NARROW SEAT
 IN ARM TABLE
 INCHES OF RECLINE PER SEAT
 WHEN LIMITED FROM MAXIMUM
 SIMBOLS

DESCRIPTION	PROJECT
CABIN SEAT LAYOUT POST-MODIFICATION 180 Y/C PAX VALID FOR MSN 4008 AND 4113	CNG-027-20
AIRBUS A320-200 CABIN RECONFIGURATION FOR AIRCASTLE	
IDENTIFICATION/DWG NR.	529-02720-1000
SHEET	1 OF 3



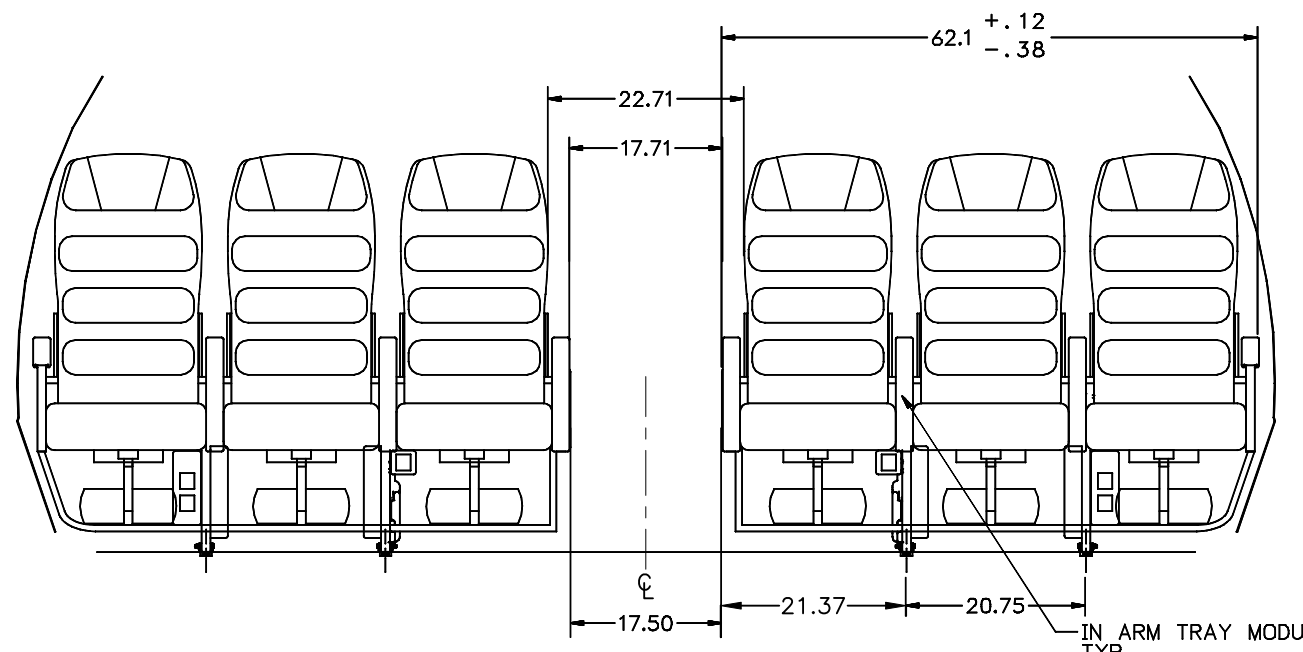


OVERWING EXIT DETAIL LH/RH TYPE III

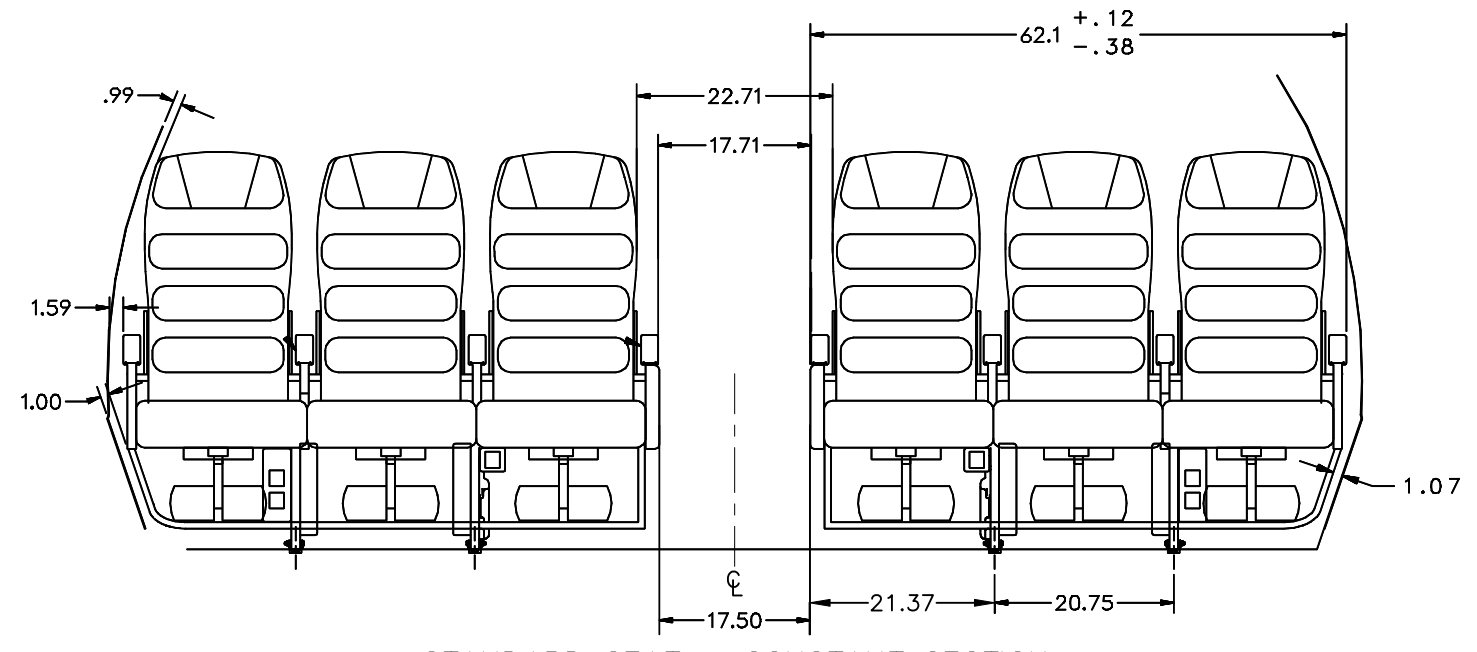


DESCRIPTION			PROJECT		
CABIN SEAT LAYOUT POST-MODIFICATION 180 Y/C PAX VALID FOR MSN 4008 AND 4113			CNG-027-20		
AIRBUS A320-200 CABIN RECONFIGURATION FOR AIRCASTLE			IDENTIFICATION/DWG NR.		
529-02720-1000			SHEET 2 OF 3		

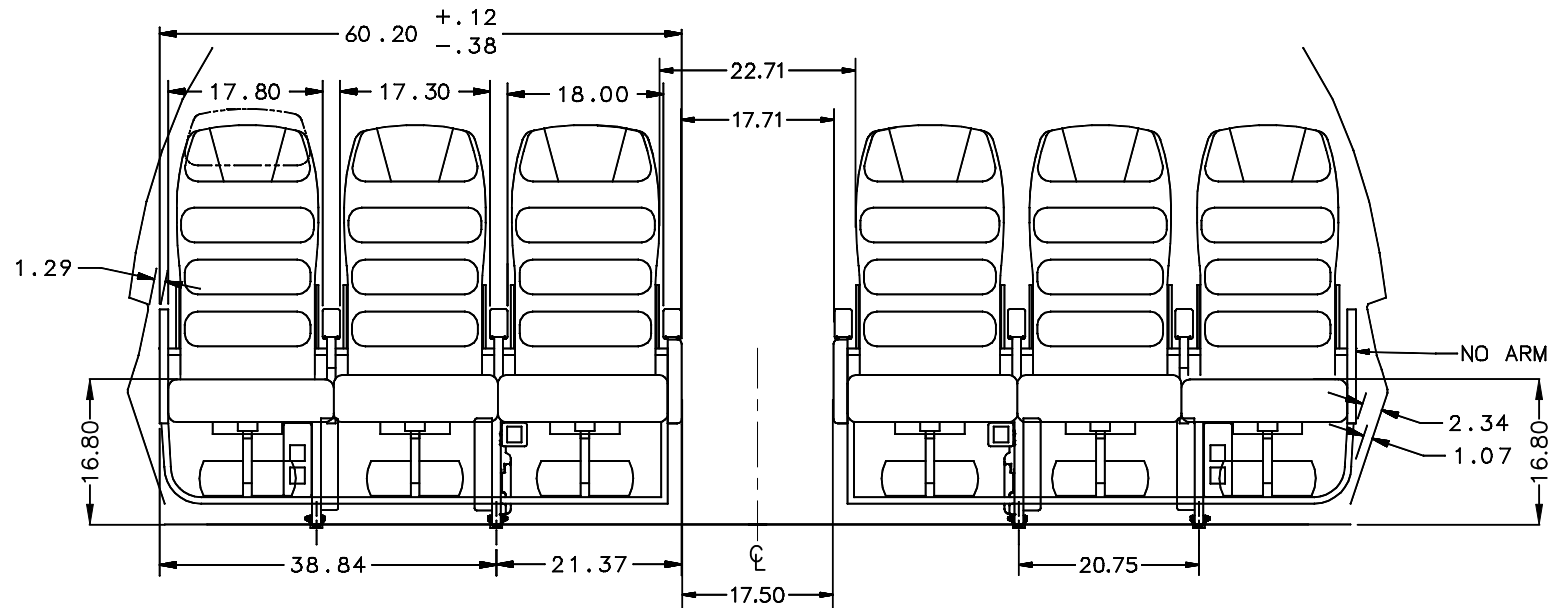




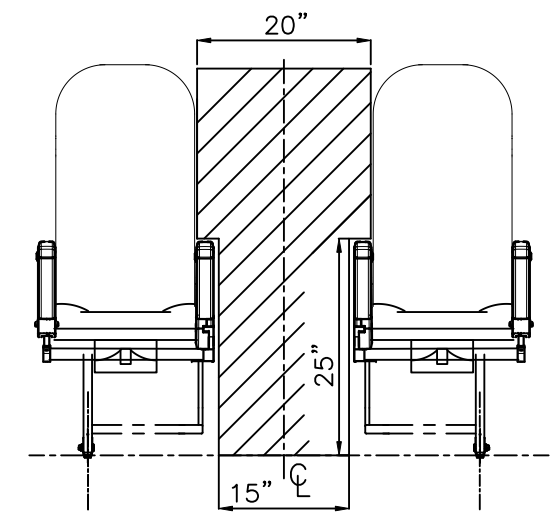
FRONT ROW SEAT – CONSTANT SECTION



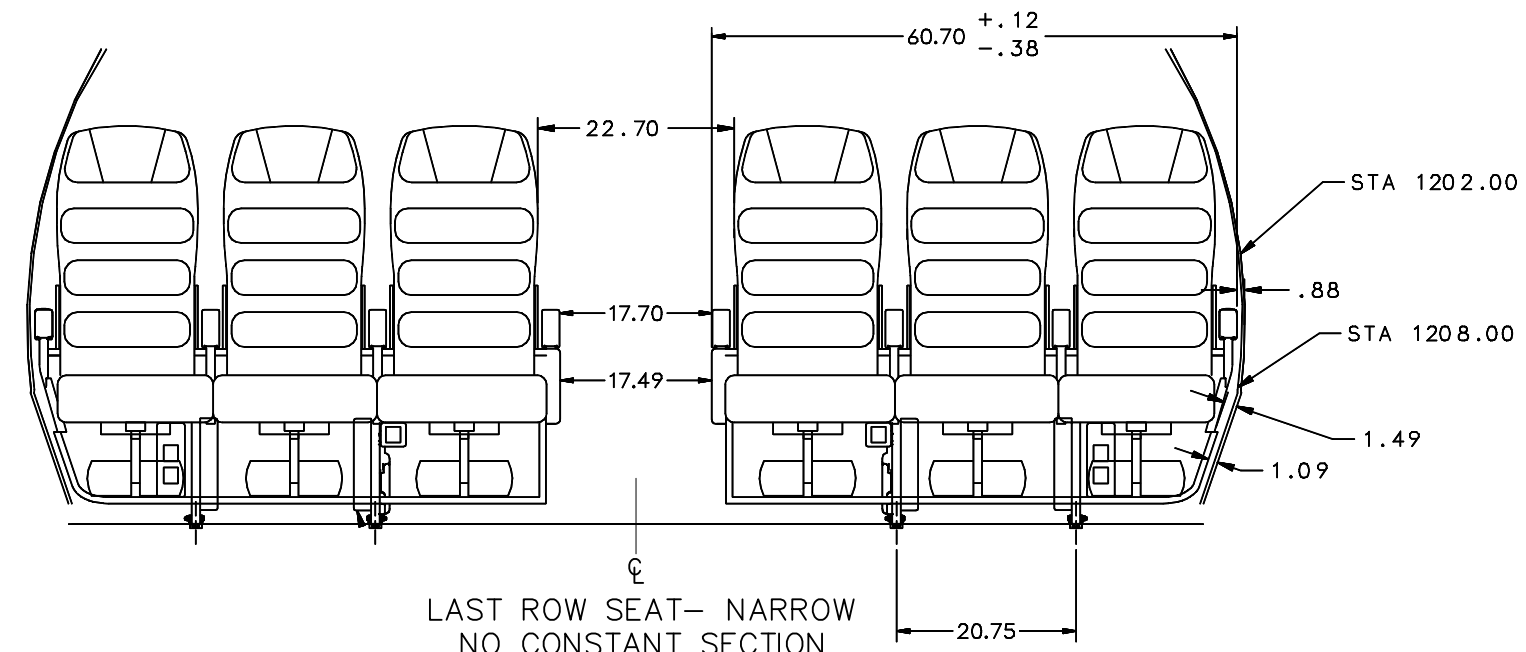
STANDARD SEAT – CONSTANT SECTION



EXIT ROW SEAT – OVERWING EXIT
NO OUTBOARD ARM



MINIMUM AISLE WIDTH AS PER CS 25.815




LAST ROW SEAT – NARROW
NO CONSTANT SECTION

DESCRIPTION			
CABIN SEAT LAYOUT POST-MODIFICATION 180 Y/C PAX VALID FOR MSN 4008 AND 4113			
DIMENSION	SCALE	FORMAT	
mm [inch]	NO	A1	

PROJECT
CNG-027-20
AIRBUS A320-200 CABIN RECONFIGURATION FOR AIRCASTLE



IDENTIFICATION/DWG NR.
529-02720-1000
SHEET
3 OF 3

	SERVICE BULLETIN		SB-CNG02720-DF-020-03-E Rev. 0
	LOPA RE-CONFIGURATION FOR A320		
	Change Nr.: CNG-027-20	ATA Chapter: 25	Page 1 of 19

The technical content of this Service Bulletin is approved under the authority of the DOA ref. EASA.21J.529.

Document Approval Signatures are reported on the Document Approval Sheet: *DAS-001-CNG02720*

1 DESCRIPTION

Change Description: Installation of 180 EC Economy Class Seats "Pinnacle"
1017030 series

Reason: Passenger layout renewal/refurbishment

Affected area(s): Cabin interiors

2 APPLICABILITY

2.1 Type design definition eligible for installation of the subject change (pre-mod configuration):

Type Certificate Holder: Airbus

Type Certificate Nr.: EASA.IM.A.064 issue 46

A/C Model: A320-232

2.2 Limitations

This Service Bulletin is applicable to the following A/Cs:
MSN 4008 and 4113


3 CONCURRENT REQUIREMENTS

N/A

4 COMPLIANCE

4.1 Classification

Mandatory Recommended Optional

	SERVICE BULLETIN		SB-CNG02720-DF-020-03-E Rev. 0
	LOPA RE-CONFIGURATION FOR A320		
	Change Nr.: CNG-027-20	ATA Chapter: 25	Page 2 of 19

4.2 Time to compliance

At Customer convenience.

5 REFERENCE DOCUMENTS

Document ID	Rev.	date	Title
529-02720-1000	0	09/10/2020	CABIN SEAT LAYOUT (180 Y/C PAX)
Aircraft Maintenance Manual	59	01/08/2020	25-21-41-400-001-A - Installation of the Passenger Seats 11-00-00-000-003-A - Removal of the Pressurized Area Placards
CMM 25-22-57	1	22/04/2013	PINNACLE 1017030 SERIES PASSENGER SEATS FOR JETSTAR AIRWAYS A320 / A321 AIRCRAFT - B/E AEROSPACE
GVH-10886-01-225 Iss A APP	A	05/05/2020	FLIGHT DECK DOOR PLACARDS INSTALLATION

6 PUBLICATIONS AFFECTED

The AMM is affected by the change.

The MMS has been issued as a supplement to this document.

