

NOTES:

1. REARRANGEMENT OF AIRCRAFT LAYOUT OF PASSENGER ACCOMMODATIONS IS TO BE PERFORMED IAW THIS DRAWING AND INSTRUCTIONS SHOWN ON AIRE SERVICE BULLETIN NO. A320C173-SB001.
2. AISLE WIDTHS MUST MEET REQUIREMENTS SET FORTH IN EASA §25.815.
3. EMERGENCY EXITS MUST BE ACCESSIBLE PER EASA §25.813.
4. EMERGENCY EXITS MUST BE MARKED IN ACCORDANCE WITH EASA §25.811.
5. ALL LIFE VESTS MUST CONFORM TO J/E/TSO C-13.
6. CREW OXYGEN MASKS MUST MEET ALL REQUIREMENTS IN EASA CS 25.1439
7. STORAGE PROVISIONS FOR ALL EMERGENCY EQUIPMENT MUST BE MARKED TO IDENTIFY THEIR CONTENTS IAW EASA §25.1561.
8. "FASTEN SEAT BELT" AND "NO SMOKING" SIGNS MUST BE VISIBLE TO EACH PERSON SEATED IN THE PASSENGER CABIN.
9. ALL SEAT BACKS AND BULKHEADS MUST HAVE "FASTEN SEAT BELT WHILE SEATED" PLACARD.
10. SEAT REFERENCE LINE IS TAKEN FROM POINT OF ATTACHMENT TO AIRCRAFT SEAT TRACKS
11. ALL SEATS MUST CONFORM TO RESPECTIVE TSO/ETSO.
12. TIGHTEN THE REAR TRACK FITTING FASTENER AS PER SEATS' RESPECTIVE CMM INDICATION.
13. INSTALLATION AND SEATS TOLERANCE AS PER CMM.
14. INSTALL SEAT ROW PLACARDS IAW AMM.

POST-INSTALLATION NOTES:

- A. ENSURE EACH OXYGEN MASK DROPS WITHIN THE REQUIRED ZONE ABOVE PASSENGER SEAT.
- B. ENSURE NO SMOKING/FASTEN SEAT BELT SIGN IS VISIBLE TO EACH PASSENGER WHILE SEATED.
- C. ENSURE EMERGENCY ESCAPE PATH MARKING IS DIRECTLY VISIBLE ALONG THE WHOLE PASSENGER CABIN AND ALSO NO OBJECT OR CARPET COVERS IT AT ANY POINT OF EMERGENCY EXIT AISLES.
- D. REQUIRED AISLE WIDTH DIMENSIONS IN COMPLIANCE WITH EASA CS25.
- E. SEATS AT FIRST ROWS ARE TO HAVE MINIMUM HEADSTRIKE CLEARANCE OF 35" FROM SEAT REFERENCE POINT.
- F. ENSURE THAT EACH SEAT HAS LIFE VEST INSTALLED.
- G. MAKE SURE THAT LIFE VEST LOCATION IS PROPERLY INDICATED IN A VISIBLE PLACE.

LEGEND

ER	EXIT ROW
FR	FRONT ROW
IAT	IN ARM TABLE
LH	LEFT HAND
RH	RIGHT HAND
LHR	LEFT HAND RECLINE
RHR	RIGHT HAND RECLINE
NR	NARROW
NWA	NO WINDOW ARM
PR	PENULTIMATE ROW
RR	REAR ROW
STD	STANDARD

SEATS - PART LIST

ITEM	PART NUMBER	DESCRIPTION	QTY
1	32-54-F0-303	SEAT ASSY, TRIPLE STANDARD , LHR	24
2	32-54-F0-304	SEAT ASSY, TRIPLE STANDARD , RHR	24
3	32-54-R9-373	SEAT ASSY, TRIPLE EXIT ROW, LH	1
4	32-54-R9-374	SEAT ASSY, TRIPLE EXIT ROW , RH	1
5	32-54-F0-3HJ	SEAT ASSY, TRIPLE ER, NWA, LH	1
6	32-54-F0-3HK	SEAT ASSY, TRIPLE ER, NWA, RH	1
7	32-54-F0-31A	SEAT ASSY, TRIPLE NR PR , LHR	1
8	32-54-F0-31B	SEAT ASSY, TRIPLE NR PR , RHR	1
9	32-44-T8-315	SEAT ASSY, TRIPLE NR RR , LHR	1
10	32-44-T8-316	SEAT ASSY, TRIPLE NR RR , RHR	1
11	32-54-F6-301	SEAT ASSY, TRIPLE FR IAT , LHR	1
12	32-54-F6-302	SEAT ASSY, TRIPLE FR IAT , RHR	1
13	32-18-R9-3HJ	SEAT ASSY, TRIPLE ER, NWA, LH	1
14	32-18-R9-3HK	SEAT ASSY, TRIPLE ER, NWA, RH	1

<p>DRAWING INFORMATION: This drawing is property of AIRE SL. It is issued on the condition that it is not copied, reproduced or disclosed to a third party either whole or in part without the consent in writing of AIRE SL.</p>	<p style="text-align: center;">AIRE</p> <p style="text-align: center;">PREPARED BY: Josef Siguero DESIGN OFFICE</p> <p style="text-align: center;">TITLE: LAYOUT OF PASSENGER ACCOMMODATIONS IN AIRBUS A320 MSN 3581-CONFIG 1</p> <p style="text-align: center;">REFERENCE: DWG-A320C173-001-LOPA</p> <p style="text-align: center;">AIRCRAFT TYPE: AIRBUS A320-200</p>
DIM: in	SCALE: N/A
SHEET: 1/4	ISSUE: 1

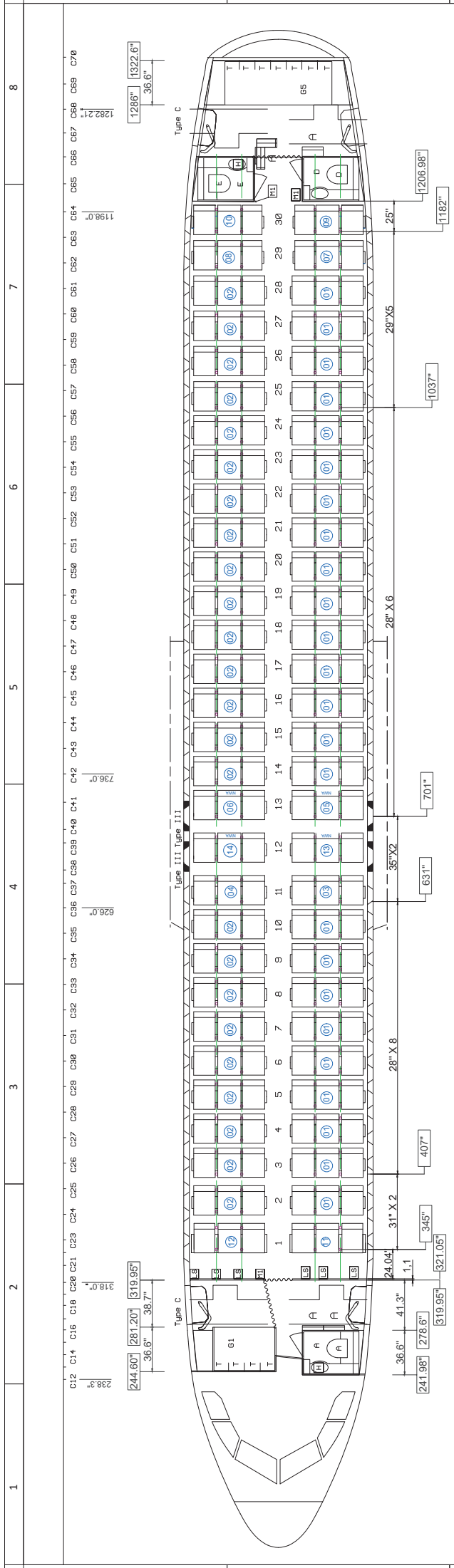


FIGURE 2-E1. LAYOUT OF PASSENGER ACCOMMODATIONS

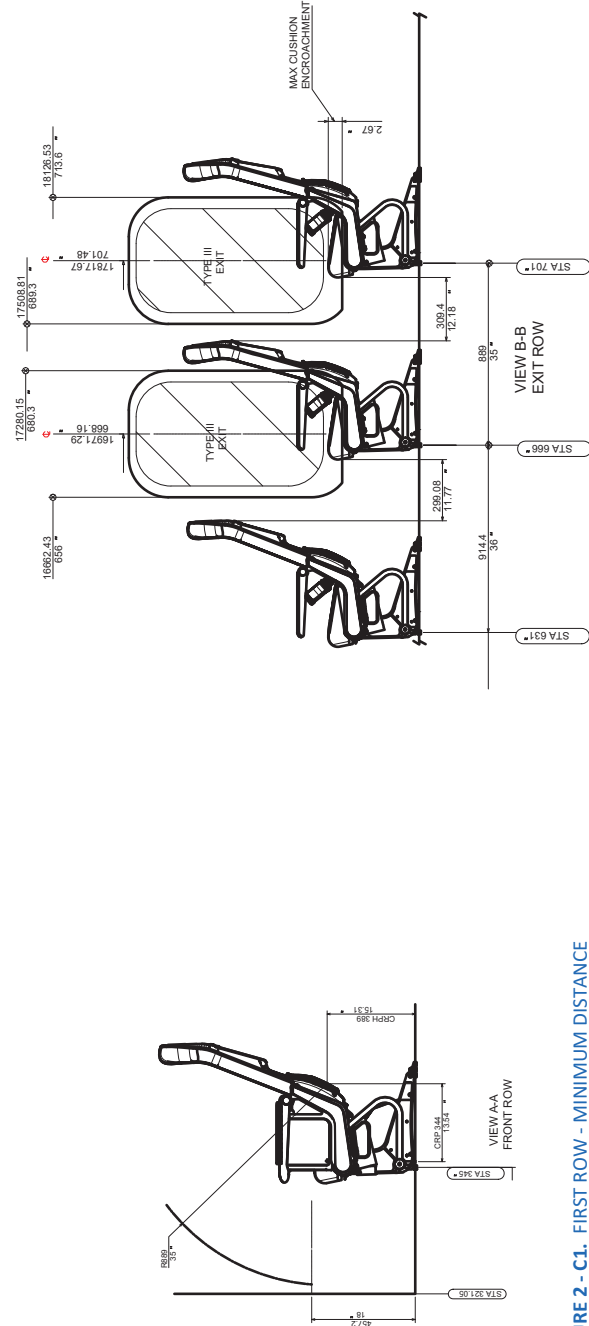


FIGURE 2 - C1. FIRST ROW - MINIMUM DISTANCE TO BULKHEAD - HIC ARCUS

FIGURE 2 - C3. PASSENGER SEATS LOCATION IN OVERWING AREA - EMERGENCY EXITS FREE ACCESS PATH

DRAWING INFORMATION:
This drawing is property of AIRE SL. It is issued on the condition that it is not copied, reproduced or disclosed to a third party either whole or in part without the consent in writing of AIRE SL.



TITLE: LAYOUT OF PASSENGER ACCOMMODATIONS IN AIRBUS A320 MSN 3581-CONFIG 1
 PREPARED BY: DIM: in
 DESIGN OFFICE: DWG-A320C173-001-LOPA SCALE: N/A
 SIGNATURE: AIRCRAFT TYPE: AIRBUS A320-200
 ON SHEET 1

(REFER TO SHEET 1 FOR FURTHER INFORMATION)

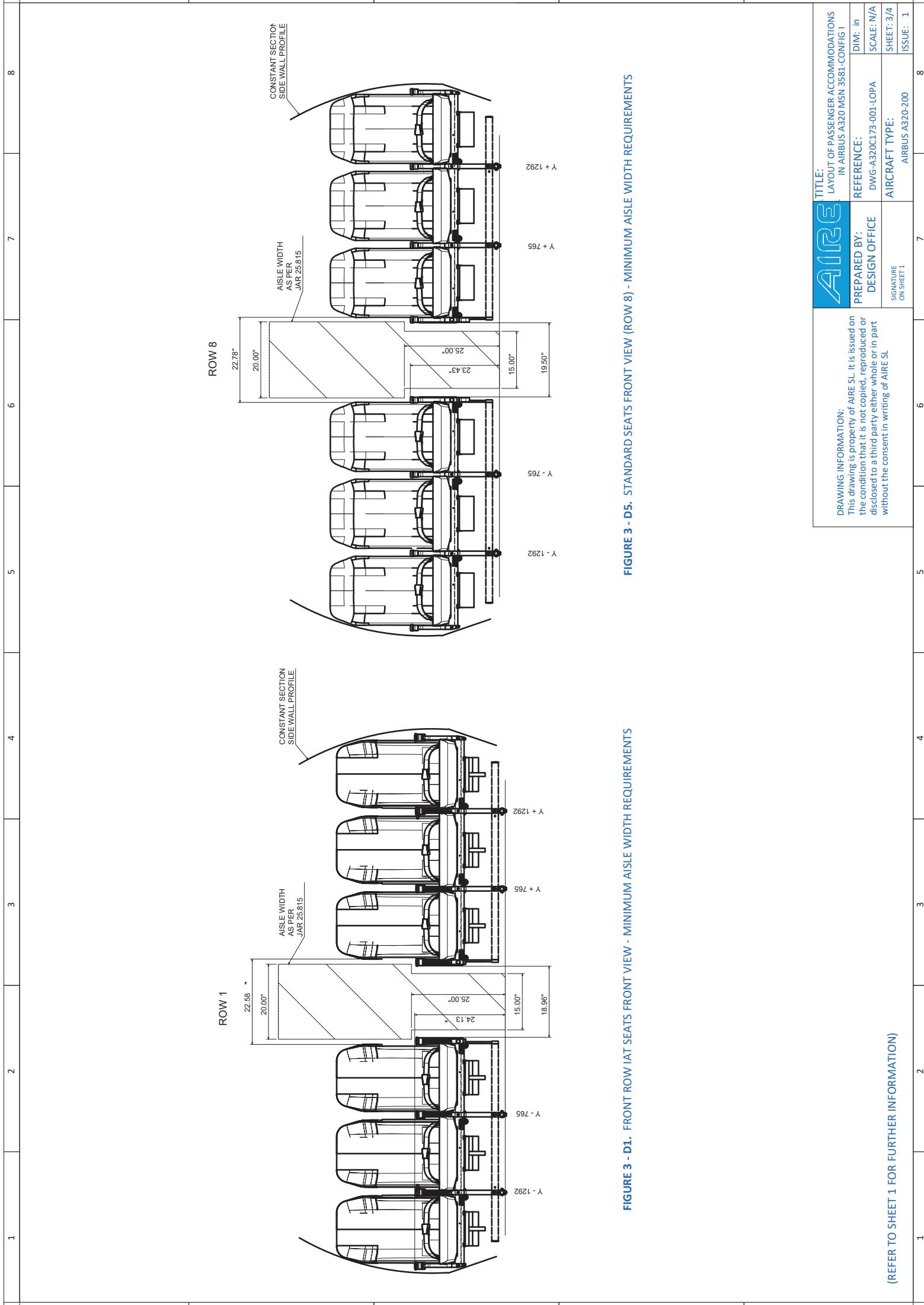


FIGURE 3 - D1. FRONT ROW IAT SEATS FRONT VIEW - MINIMUM AISLE WIDTH REQUIREMENTS

FIGURE 3 - D5. STANDARD SEATS FRONT VIEW (ROW 8) - MINIMUM AISLE WIDTH REQUIREMENTS

DRAWING INFORMATION:
 This drawing is property of AIRE SL. It is issued on the condition that it is not copied, reproduced or disclosed to a third party either whole or in part without the consent in writing of AIRE SL.



TITLE: LAYOUT OF PASSENGER ACCOMMODATIONS IN AIRBUS A320 MSN 3581-CONFIG 1
PREPARED BY: REFERENCE:
DESIGN OFFICE: DWG-A320C173-001-LOPA
SIGNATURE ON SHEET 1: AIRCRAFT TYPE: AIRBUS A320-200

(REFER TO SHEET 1 FOR FURTHER INFORMATION)

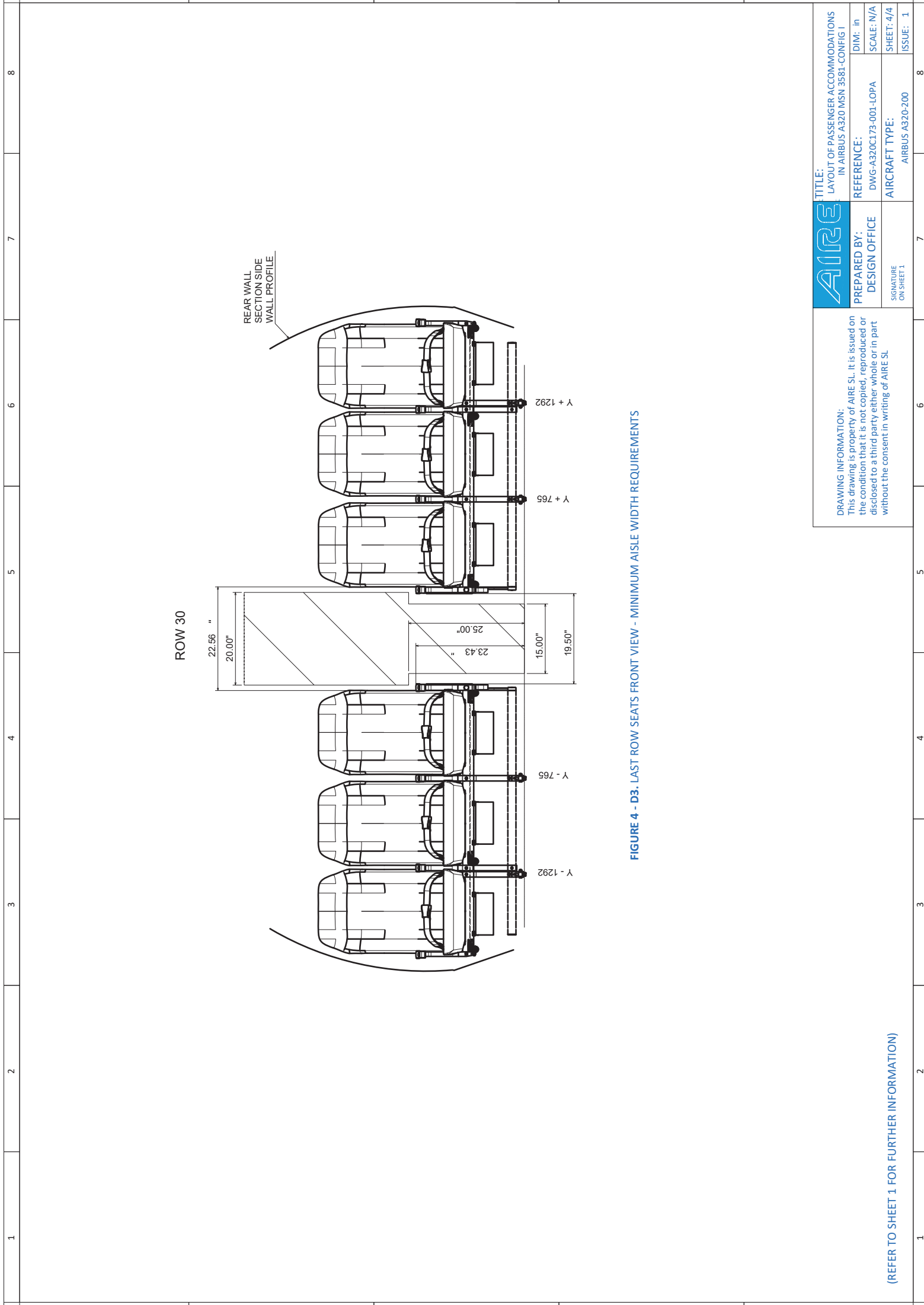


FIGURE 4 - D3. LAST ROW SEATS FRONT VIEW - MINIMUM AISLE WIDTH REQUIREMENTS

DRAWING INFORMATION:
 This drawing is property of AIRE SL. It is issued on the condition that it is not copied, reproduced or disclosed to a third party either whole or in part without the consent in writing of AIRE SL.



TITLE:	LAYOUT OF PASSENGER ACCOMMODATIONS IN AIRBUS A320 MSN 3581-CONFIG 1
PREPARED BY:	REFERENCE:
DESIGN OFFICE:	DWG-A320C173-001-LOPA
SIGNATURE ON SHEET 1	AIRCRAFT TYPE:
	AIRBUS A320-200
	DIM: in
	SCALE: N/A
	SHEET: 4/4
	ISSUE: 1

(REFER TO SHEET 1 FOR FURTHER INFORMATION)