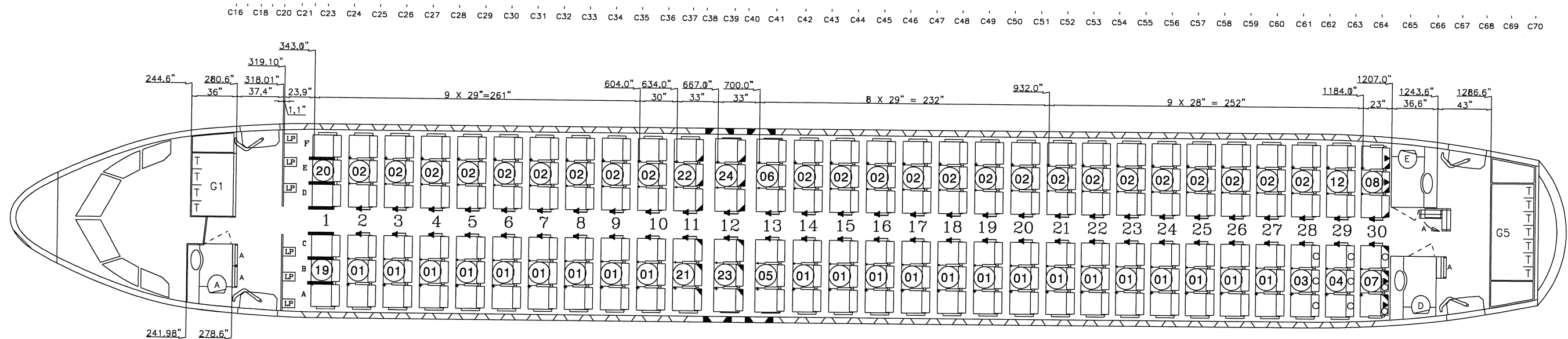


AFTER MODIFICATION

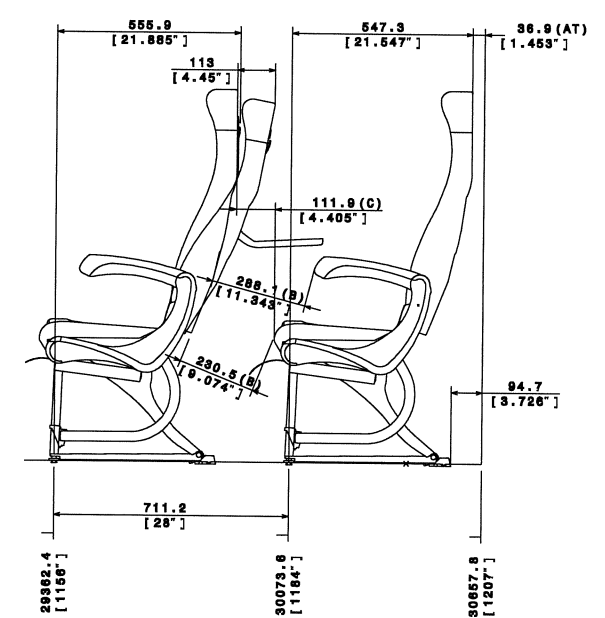
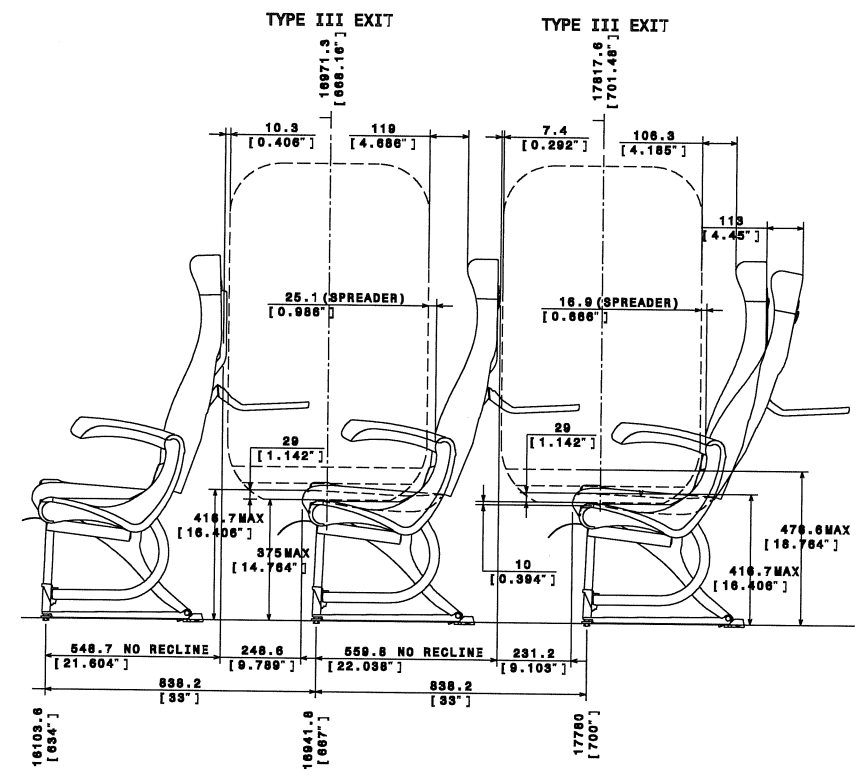
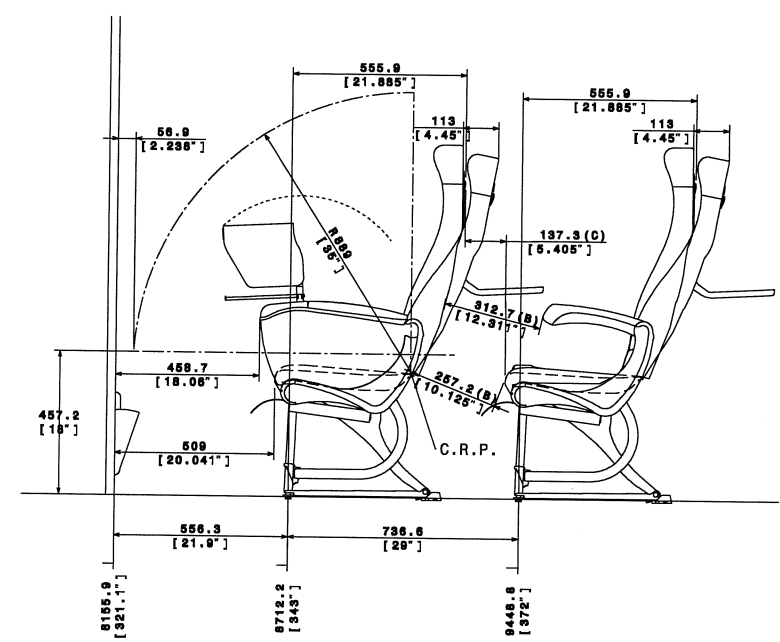
2 3 4 5 7



FIRST RAW LATERAL VIEW

EXIT DOOR LATERAL VIEW

LAST RAW LATERAL VIEW



SEATS CHARACTERISTICS AND LEGEND:

- IN ARMREST TABLE
- NO RECLINE
- NARROW SEAT
- SEE SHEET 01
- STRETCHER LOCATION
- LP LITERATURE POCKET
- A ATTENDANT SEAT

**ORIGINAL
EN ROUGE
IN RED**

ALL DIMENSIONS IN MILLIMETRES UNLESS OTHERWISE STATED					
THIS DOCUMENT AND ALL INFORMATION CONTAINED HEREIN IS CONFIDENTIAL AND IS THE SOLE PROPERTY OF AIRBUS INTERIORS SERVICES, AS SUCH IT SHALL NOT BE REPRODUCED OR DISCLOSED TO ANY THIRD PARTY. © ALL RIGHTS RESERVED (2017)					
DATE	16-07-2018	AIRBUS		Interiors Services	
DRN	CTI G66	CHKD	D. PICARD	SIZE	A3
STRESS	N/A	LIMITS NOT STATED	ABD0001-1	SURFACE FINISH	ABD0002
TITLE	SEATS INSTALLATION		DRAWING NUMBER:	SHEET:	ISSUE:
	MSN4491		CD096-25210003	F	