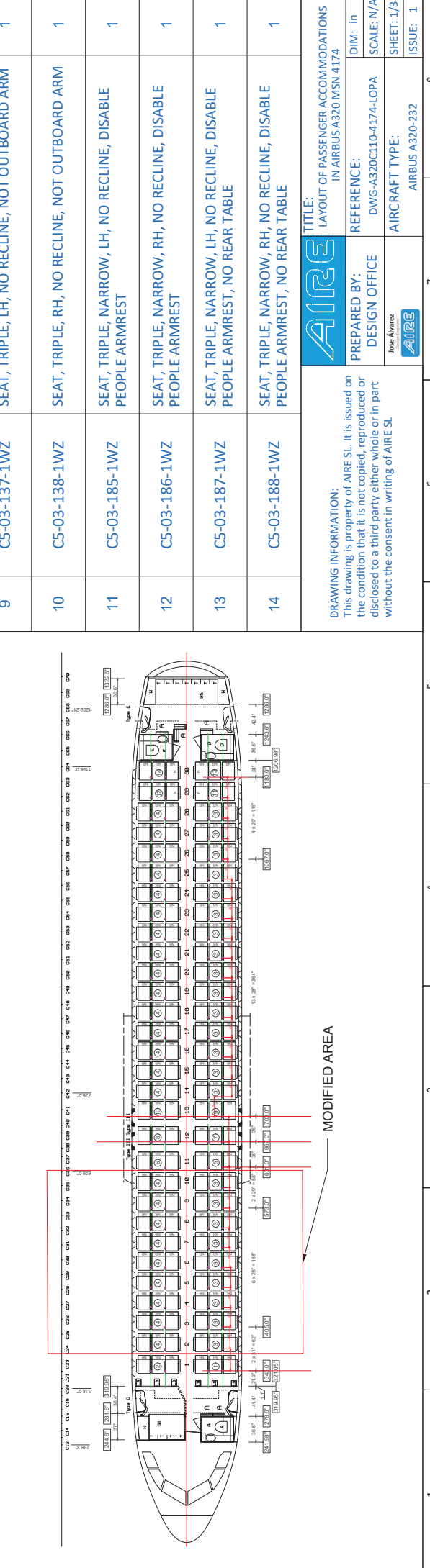


**NOTES:**

1. REARRANGEMENT OF AIRCRAFT LAYOUT OF PASSENGER ACCOMMODATIONS IS TO BE PERFORMED IAW THIS DRAWING AND INSTRUCTIONS SHOWN ON AIRE SERVICE BULLETIN NO. A320C110-5B001
2. AISLE WIDTHS MUST MEET REQUIREMENTS SET FORTH IN EASA \$25.815
3. EMERGENCY EXITS MUST BE ACCESSIBLE PER EASA \$25.813
4. EMERGENCY EXITS MUST BE MARKED IN ACCORDANCE WITH EASA \$25.811
5. ALL LIFE VESTS MUST CONFORM TO J/E/TSO C-13
6. CREW OXYGEN MASKS MUST MEET ALL REQUIREMENTS IN EASA CS 25.1439
7. STORAGE PROVISIONS FOR ALL EMERGENCY EQUIPMENT MUST BE MARKED TO IDENTIFY THEIR CONTENTS IAW EASA \$25.1561
8. "FASTEN SEAT BELT" AND "NO SMOKING" SIGNS MUST BE VISIBLE TO EACH PERSON SEATED IN THE PASSENGER CABIN
9. ALL SEAT BACKS AND BULKHEADS MUST HAVE "FASTEN SEAT BELT WHILE SEATED" PLACARD
10. SEAT REFERENCE LINE IS TAKEN FROM POINT OF ATTACHMENT TO AIRCRAFT SEAT TRACKS
11. ALL SEATS MUST CONFORM TO RESPECTIVE TSO/ETSO
12. TIGHTEN THE REAR TRACK FITTING FASTENER AS PER SEATS' RESPECTIVE CMM INDICATION.
13. INSTALLATION AND SEATS TOLERANCE AS PER CMM
14. INSTALL SEAT ROW PLACARDS IAW AMM.

**POST-INSTALLATION NOTES:**

- A. ENSURE EACH OXYGEN MASK DROPS WITHIN THE REQUIRED ZONE ABOVE PASSENGER SEAT
- B. ENSURE NO SMOKING/FASTEN SEAT BELT SIGN IS VISIBLE TO EACH PASSENGER WHILE SEATED
- C. ENSURE EMERGENCY ESCAPE PATH MARKING IS DIRECTLY VISIBLE ALONG THE WHOLE PASSENGER CABIN AND ALSO NO OBJECT OR CARPET COVERS IT AT ANY POINT OF EMERGENCY EXIT AISLES
- D. REQUIRED AISLE WIDTH DIMENSIONS IN COMPLIANCE WITH EASA CS25
- E. SEATS AT FIRST ROWS ARE TO HAVE MINIMUM HEADSTRIKE CLEARANCE OF 35" FROM SEAT REFERENCE POINT
- F. ENSURE THAT EACH SEAT HAS LIFE VEST INSTALLED.
- G. MAKE SURE THAT LIFE VEST LOCATION IS PROPERLY INDICATED IN A VISIBLE PLACE



ITEM	PART NUMBER	DESCRIPTION	QTY
1	C5-03-103-1WZ	SEAT, TRIPLE, IN-ARM TABLE, LH, NO RECLINE	1
2	C5-03-104-1WZ	SEAT, TRIPLE, IN-ARM TABLE, RH, NO RECLINE	1
3	C5-03-131-1WZ	SEAT, TRIPLE, LH, NO RECLINE, DISABLE PEOPLE ARMREST	24
4	C5-03-132-1WZ	SEAT, TRIPLE, RH, NO RECLINE, DISABLE PEOPLE ARMREST	24
5	C5-03-133-1WZ	SEAT, TRIPLE, LH, NO RECLINE, DISABLE PEOPLE ARMREST, SL	1
6	C5-03-134-1WZ	SEAT, TRIPLE, RH, NO RECLINE, DISABLE PEOPLE ARMREST, SL	1
7	C5-03-135-1WZ	SEAT, TRIPLE, LH, NO RECLINE, SL, NOT OUTBOARD ARM	1
8	C5-03-136-1WZ	SEAT, TRIPLE, RH, NO RECLINE, SL, NOT OUTBOARD ARM	1
9	C5-03-137-1WZ	SEAT, TRIPLE, LH, NO RECLINE, NOT OUTBOARD ARM	1
10	C5-03-138-1WZ	SEAT, TRIPLE, RH, NO RECLINE, NOT OUTBOARD ARM	1
11	C5-03-185-1WZ	SEAT, TRIPLE, NARROW, LH, NO RECLINE, DISABLE PEOPLE ARMREST	1
12	C5-03-186-1WZ	SEAT, TRIPLE, NARROW, RH, NO RECLINE, DISABLE PEOPLE ARMREST	1
13	C5-03-187-1WZ	SEAT, TRIPLE, NARROW, LH, NO RECLINE, DISABLE PEOPLE ARMREST, NO REAR TABLE	1
14	C5-03-188-1WZ	SEAT, TRIPLE, NARROW, RH, NO RECLINE, DISABLE PEOPLE ARMREST, NO REAR TABLE	1

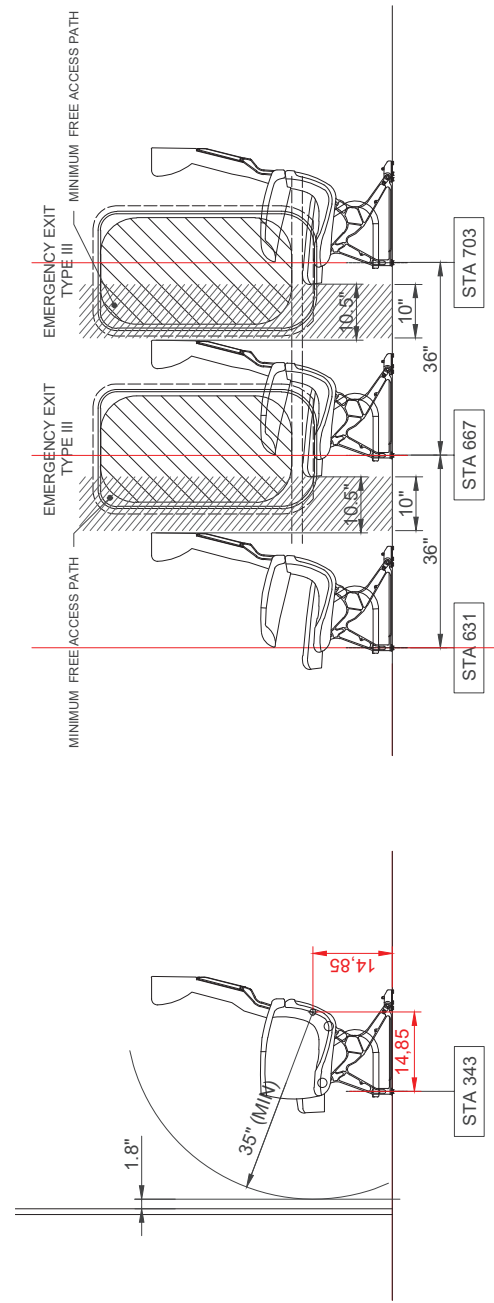
**SEATS - PART LIST**

**DRAWING INFORMATION:**  
 This drawing is property of AIRE SL. It is issued on the condition that it is not copied, reproduced or disclosed to a third party either whole or in part without the consent in writing of AIRE SL.

**AIRE**  
 TITLE: LAYOUT OF PASSENGER ACCOMMODATIONS IN AIRBUS A320 MSN 4174  
 PREPARED BY: REFERENCE: DIM: in  
 DESIGN OFFICE: DWG-A320C110-4174-LOPA SCALE: N/A  
 Jose Alvarez AIRCRAFT TYPE: AIRBUS A320-232 SHEET: 1/3  
 ISSUE: 1



**FIGURE 2-E1. LAYOUT OF PASSENGER ACCOMMODATIONS**



**FIGURE 2 - C1. FIRST ROW - MINIMUM DISTANCE TO BULKHEAD - HIC ARC**  
**FIGURE 2 - C2. FIRST ROW - MINIMUM DISTANCE TO EMERGENCY EXIT**  
**FIGURE 2 - C3. PASSENGER SEATS LOCATION IN OVERWING AREA - EMERGENCY EXITS FREE ACCESS PATH**

N	NARROW SEAT
NR	NO RECLINE
LS	LITERATURE POCKET
	IN ARMREST TABLE

**AIRE**

**TITLE:** LAYOUT OF PASSENGER ACCOMMODATIONS IN AIRBUS A320 MSN 4174

**PREPARED BY:** DWG-A320C110-4174-LOPA

**DESIGN OFFICE:** AIRBUS A320-232

**SIGNATURE ON SHEET 1**

**DIM:** in

**SCALE:** N/A

**SHEET:** 2/3

**ISSUE:** 1

**DRAWING INFORMATION:**  
 This drawing is property of AIRE SL. It is issued on the condition that it is not copied, reproduced or disclosed to a third party either whole or in part without the consent in writing of AIRE SL.

(REFER TO SHEET 1 FOR FURTHER INFORMATION)

1 2 3 4 5 6 7 8

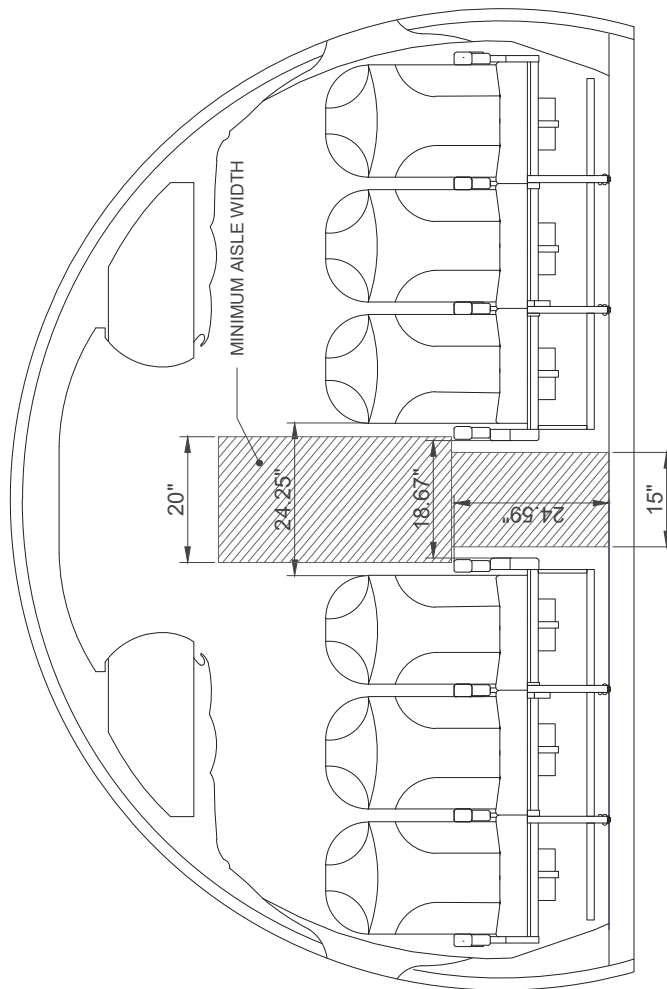


FIGURE 3 - D1. CONSTANT SECTION FRONT VIEW - MINIMUM AISLE WIDTH REQUIREMENTS

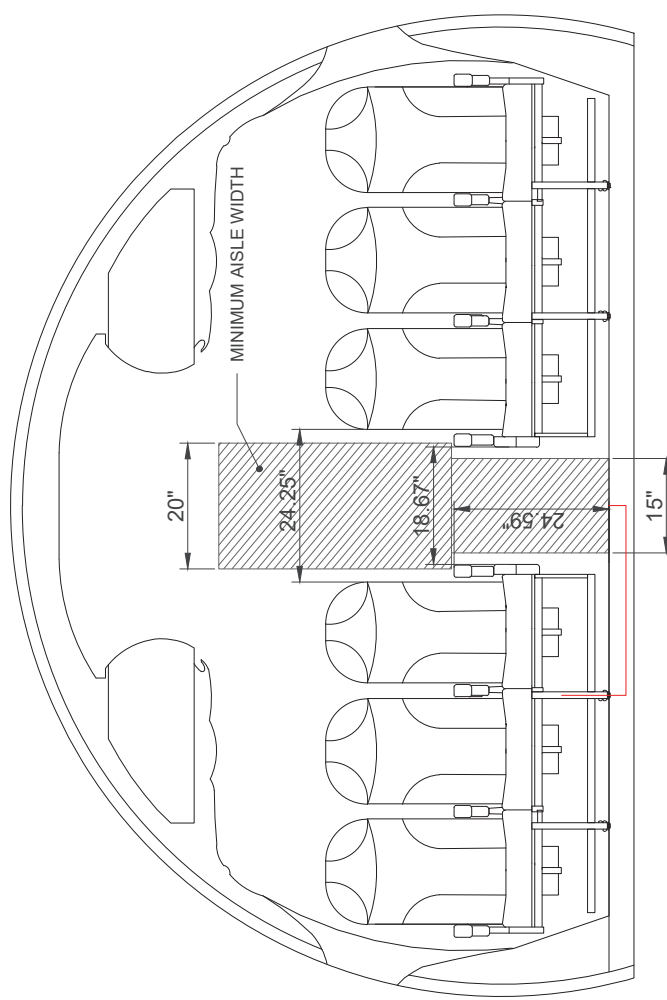


FIGURE 3 - D5. CABIN NARROW SECTION FRONT VIEW (C64) - MINIMUM AISLE WIDTH REQUIREMENTS

**DRAWING INFORMATION:**  
 This drawing is property of AIRE SL. It is issued on the condition that it is not copied, reproduced or disclosed to a third party either whole or in part without the consent in writing of AIRE SL.



**TITLE:** LAYOUT OF PASSENGER ACCOMMODATIONS IN AIRBUS A320 MSN 4174  
**PREPARED BY:** DIM: in  
**DESIGN OFFICE:** DWG-A320C110-4174-LOPA SCALE: N/A  
**SIGNATURE ON SHEET 1:** AIRCRAFT TYPE: AIRBUS A320-232  
**ON SHEET 1:** SHEET: 3/3  
 ISSUE: 1

(REFER TO SHEET 1 FOR FURTHER INFORMATION)

E D C B A