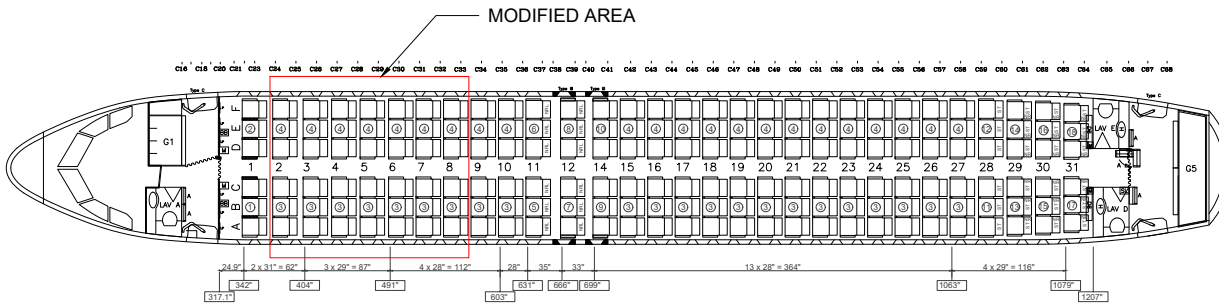


**NOTES:**

1. REARRANGEMENT OF AIRCRAFT LAYOUT OF PASSENGER ACCOMMODATIONS IS TO BE PERFORMED IAW THIS DRAWING AND INSTRUCTIONS SHOWN ON AIRE SERVICE BULLETIN NO. A320C110-SB001
2. AISLE WIDTHS MUST MEET REQUIREMENTS SET FORTH IN EASA §25.815
3. EMERGENCY EXITS MUST BE ACCESSIBLE PER EASA §25.813
4. EMERGENCY EXITS MUST BE MARKED IN ACCORDANCE WITH EASA §25.811
5. ALL LIFE VESTS MUST CONFORM TO J/E/TSO C-13
6. CREW OXYGEN MASKS MUST MEET ALL REQUIREMENTS IN EASA CS 25.1439
7. STORAGE PROVISIONS FOR ALL EMERGENCY EQUIPMENT MUST BE MARKED TO IDENTIFY THEIR CONTENTS IAW EASA §25.1561
8. "FASTEN SEAT BELT" AND "NO SMOKING" SIGNS MUST BE VISIBLE TO EACH PERSON SEATED IN THE PASSENGER CABIN
9. ALL SEAT BACKS AND BULKHEADS MUST HAVE "FASTEN SEAT BELT WHILE SEATED" PLACARD
10. SEAT REFERENCE LINE IS TAKEN FROM POINT OF ATTACHMENT TO AIRCRAFT SEAT TRACKS
11. ALL SEATS MUST CONFORM TO RESPECTIVE TSO/ETSO
12. TIGHTEN THE REAR TRACK FITTING FASTENER AS PER SEATS' RESPECTIVE CMM INDICATION.
13. INSTALLATION AND SEATS TOLERANCE AS PER CMM
14. INSTALL SEAT ROW PLACARDS IAW AMM.

**POST-INSTALLATION NOTES:**

- A. ENSURE EACH OXYGEN MASK DROPS WITHIN THE REQUIRED ZONE ABOVE PASSENGER SEAT
- B. ENSURE NO SMOKING/FASTEN SEAT BELT SIGN IS VISIBLE TO EACH PASSENGER WHILE SEATED
- C. ENSURE EMERGENCY ESCAPE PATH MARKING IS DIRECTLY VISIBLE ALONG THE WHOLE PASSENGER CABIN AND ALSO NO OBJECT OR CARPET COVERS IT AT ANY POINT OF EMERGENCY EXIT AISLES
- D. REQUIRED AISLE WIDTH DIMENSIONS IN COMPLIANCE WITH EASA CS25
- E. SEATS AT FIRST ROWS ARE TO HAVE MINIMUM HEADSTRIKE CLEARANCE OF 35" FROM SEAT REFERENCE POINT
- F. ENSURE THAT EACH SEAT HAS LIFE VEST INSTALLED.
- G. MAKE SURE THAT LIFE VEST LOCATION IS PROPERLY INDICATED IN A VISIBLE PLACE



| REVISIONS |            |                  |               |             |
|-----------|------------|------------------|---------------|-------------|
| ISSUE     | DATE       | REASON OF CHANGE | PREPARED BY   | VERIFIED BY |
| 1         | 08/03/2023 | Initial Issue    | DESIGN OFFICE | CVE         |

| SEATS - PART LIST |                 |  |     |  |
|-------------------|-----------------|--|-----|--|
| ITEM              | PART NUMBER     | DESCRIPTION  | QTY |  |
| 1                 | 3530AY03-31-211 | SEAT, TRIPLE, LH, IN-ARM TABLE                       | 1   |  |
| 2                 | 3530AY03-32-211 | SEAT, TRIPLE, RH, IN-ARM TABLE                       | 1   |  |
| 3                 | 3530AY03-31-011 | SEAT, TRIPLE, LH, STD                                | 22  |  |
| 4                 | 3530AY03-32-011 | SEAT, TRIPLE, RH, STD                                | 22  |  |
| 5                 | 3530AY03-31-021 | SEAT, TRIPLE, LH, NRL                                | 1   |  |
| 6                 | 3530AY03-32-021 | SEAT, TRIPLE, RH, NRL                                | 1   |  |
| 7                 | 3530AY03-31-031 | SEAT, TRIPLE, LH, SPECIAL EXIT , NO ARMREST O/B, NRL | 1   |  |
| 8                 | 3530AY03-32-031 | SEAT, TRIPLE, RH, SPECIAL EXIT, NO ARMREST O/B, NRL  | 1   |  |
| 9                 | 3530AY03-31-041 | SEAT, TRIPLE, LH, SPECIAL EXIT , NO ARMREST O/B      | 1   |  |
| 10                | 3530AY03-32-041 | SEAT, TRIPLE, RH, SPECIAL EXIT , NO ARMREST O/B      | 1   |  |
| 11                | 3530AY03-31-141 | SEAT, TRIPLE, LH, STD, ST                            | 1   |  |
| 12                | 3530AY03-32-141 | SEAT, TRIPLE, RH, STD, ST                            | 1   |  |
| 13                | 3530AY03-31-081 | SEAT, TRIPLE, LH, NR, ST                             | 1   |  |
| 14                | 3530AY03-32-081 | SEAT, TRIPLE, RH, NR, ST                             | 1   |  |
| 15                | 3530AY03-31-051 | SEAT, TRIPLE, LH, NR, ST                             | 1   |  |
| 16                | 3530AY03-32-051 | SEAT, TRIPLE, RH, NR, ST                             | 1   |  |
| 17                | 3530AY03-31-061 | SEAT, TRIPLE, LH, LAST ROW NR                        | 1   |  |
| 18                | 3530AY03-32-061 | SEAT, TRIPLE, RH, LAST ROW NR                        | 1   |  |

**DRAWING INFORMATION:**  
This drawing is property of AIRE SL. It is issued on the condition that it is not copied, reproduced or disclosed to a third party either whole or in part without the consent in writing of AIRE SL

|                         |   |                                      |                       |
|-------------------------|---|--------------------------------------|-----------------------|
| <b>AIRE</b>             | TITLE:<br>LAYOUT OF PASSENGER ACCOMMODATIONS<br>IN AIRBUS A320 MSN 4767 |                                      |                       |
|                         | PREPARED BY:<br>DESIGN OFFICE   | REFERENCE:<br>DWG-A320C110-4767-LOPA | DIM: in<br>SCALE: N/A |
| SIGNATURE<br>ON SHEET 1 | AIRCRAFT TYPE:<br>AIRBUS A320-232                                       | SHEET: 1/3<br>ISSUE: 1               |                       |

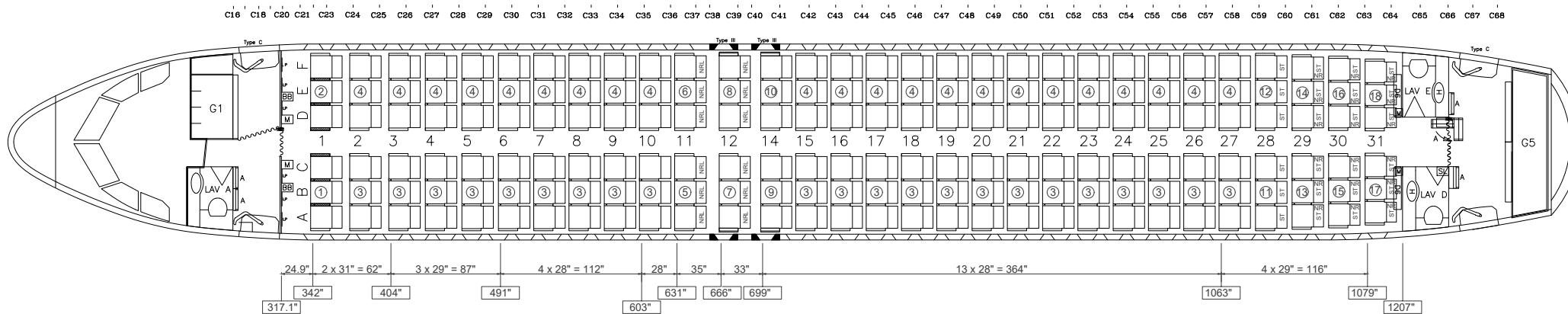


FIGURE 2-E1. LAYOUT OF PASSENGER ACCOMMODATIONS

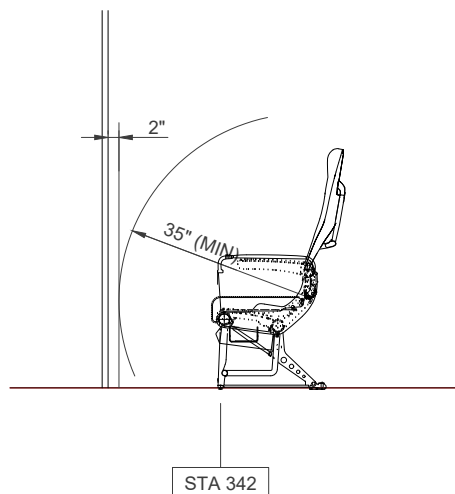


FIGURE 2 - C1. FIRST ROW - MINIMUM DISTANCE TO BULKHEAD - HIC ARCUS

(REFER TO SHEET 1 FOR FURTHER INFORMATION)

|      |                      |
|------|----------------------|
| ST   | STRETCHER PROVISIONS |
| NR   | NARROW SEAT          |
| NRL  | NO RECLINE           |
| LP   | LITERATURE POCKET    |
| BB   | BABY BASSINET        |
| M    | MAGAZINE RACK        |
| //// | IN ARMREST TABLE     |

|   |  |   |  |
|---|--|---|--|
| <p><b>DRAWING INFORMATION:</b><br/>This drawing is property of AIRE SL. It is issued on the condition that it is not copied, reproduced or disclosed to a third party either whole or in part without the consent in writing of AIRE SL</p> |  | <p><b>TITLE:</b><br/>LAYOUT OF PASSENGER ACCOMMODATIONS IN AIRBUS A320 MSN 4767</p> |  |
|   | <p><b>PREPARED BY:</b><br/>DESIGN OFFICE</p> | <p><b>REFERENCE:</b><br/>DWG-A320C110-4767-LOPA</p>                                 | <p><b>DIM:</b> in<br/><b>SCALE:</b> N/A</p>  |
|   | <p><b>SIGNATURE</b><br/>ON SHEET 1</p>       | <p><b>AIRCRAFT TYPE:</b><br/>AIRBUS A320-232</p>                                    | <p><b>SHEET:</b> 2/3<br/><b>ISSUE:</b> 1</p> |

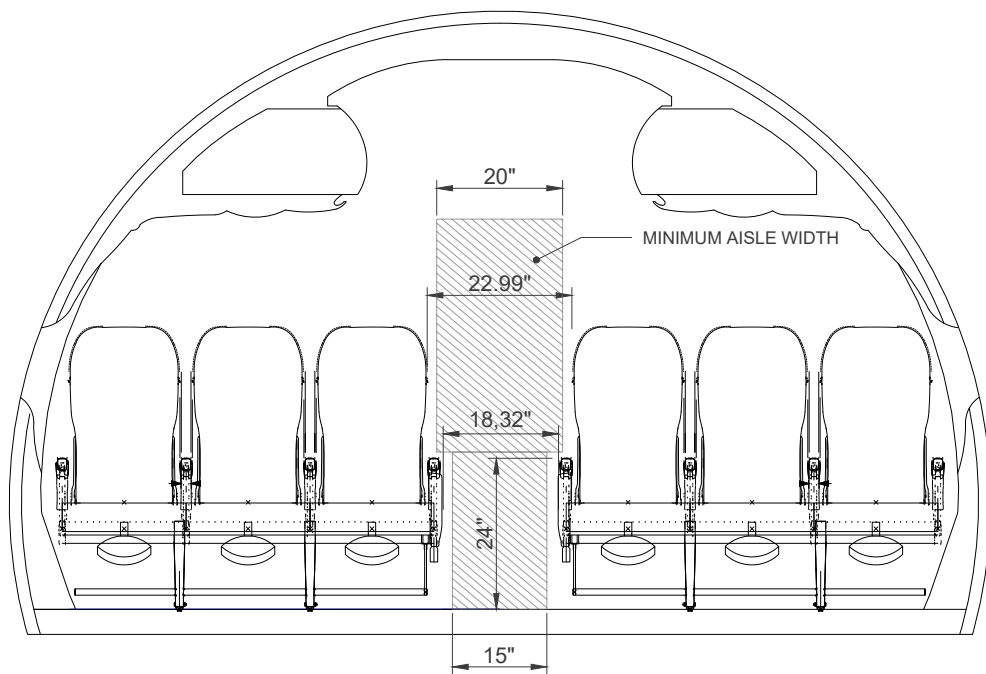


FIGURE 3 - D1. CONSTANT SECTION FRONT VIEW - MINIMUM AISLE WIDTH REQUIREMENTS

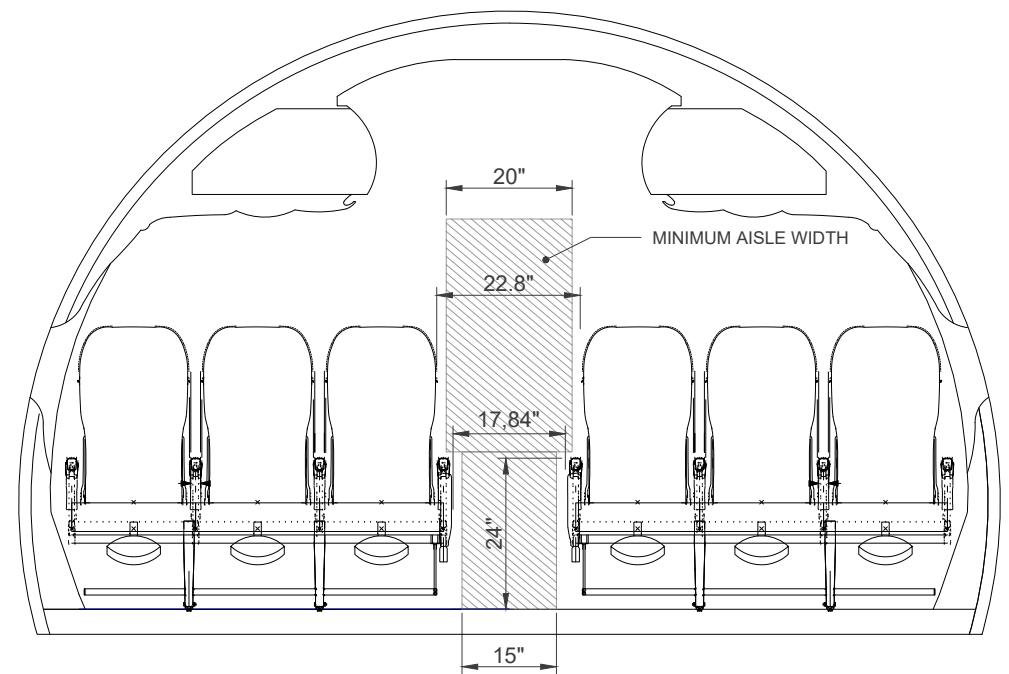


FIGURE 3 - D5. CABIN NARROW SECTION FRONT VIEW (C64) - MINIMUM AISLE WIDTH REQUIREMENTS

(REFER TO SHEET 1 FOR FURTHER INFORMATION)

**DRAWING INFORMATION:**  
This drawing is property of AIRE SL. It is issued on the condition that it is not copied, reproduced or disclosed to a third party either whole or in part without the consent in writing of AIRE SL

**AIRE**

**TITLE:**  
LAYOUT OF PASSENGER ACCOMMODATIONS  
IN AIRBUS A320 MSN 4767

**PREPARED BY:**  
DESIGN OFFICE

**REFERENCE:**  
DWG-A320C110-4767-LOPA

**DIM:** in  
**SCALE:** N/A

**SIGNATURE**  
ON SHEET 1

**AIRCRAFT TYPE:**  
AIRBUS A320-232

**SHEET:** 3/3  
**ISSUE:** 1